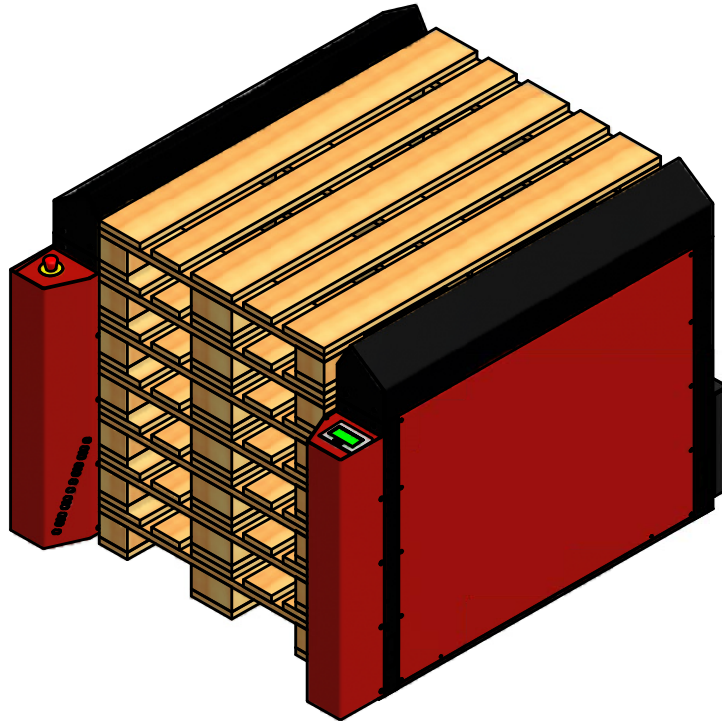


PalManager



Previous2045-03-24

Spare parts list

430-6-15

2015-08-01

Table of contents

Notes	3
Information regarding spare parts lists	4
PalManager	5
Survey	6
Body	7
4-way body	8
Model "I" body	9
Covering	10
4-way covering	11
Model "I" covering	12
Lifting arrangement	13
Rear section	14
Tower	15
Electrical arrangement	16
Safety light arrangement	17
Photo cell arrangement	18
Photo cell -PM-B6	19
Reflector for Photo cell -PM-B6	20
Maximum level alarm (-PM-B12)	21
Minimum level alarm (-PM-B13)	22
Base frame	23
Base frame light	24
Air supply	25
Valve block and manometer	26
Second valve block	27
Sensor device	28
Tower model	29
Pneumatic diagram	30
Pneumatic diagram	31

PalManager

For some machines, there is a recommended spare parts kit which can be ordered from the SOCO SYSTEM sales department.

The "S" after the item numbers on the following pages indicates that these goods form part of the spare parts kit "Service". These item numbers also form part of the spare parts kit "ES".

The "ES" after the item number on the following pages indicates that these goods form part of the extended spare parts kit "Extended Service".

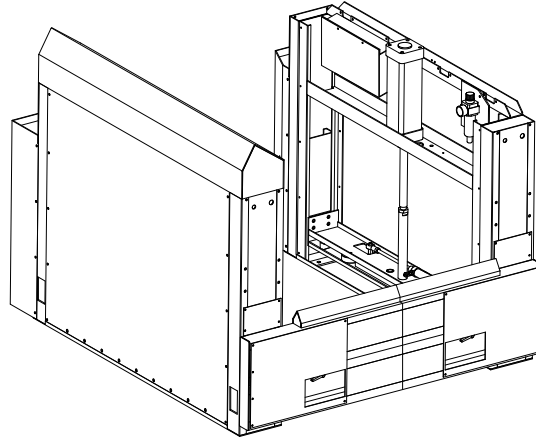
On ordering of spare parts, please refer to SOCO SYSTEM item number. If parts for special versions, e.g. stainless steel, are desired, please state this when ordering.

All dimensions are in millimetres (mm).

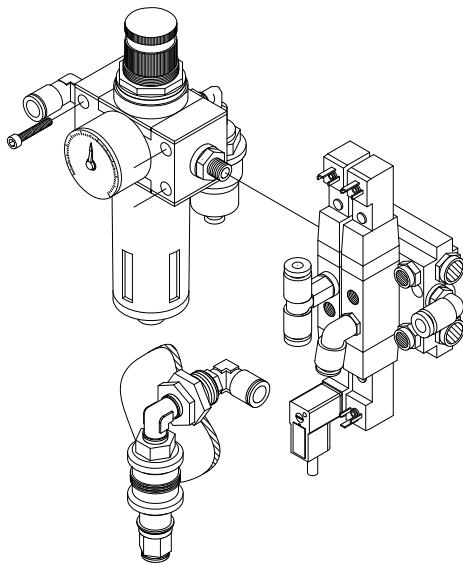
Electric components are shown in the wire diagram at the rear of the spare parts book.

PalManager

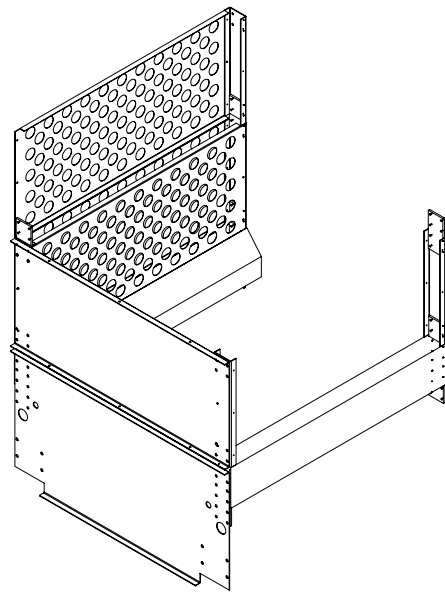
See "Survey" on page 6.



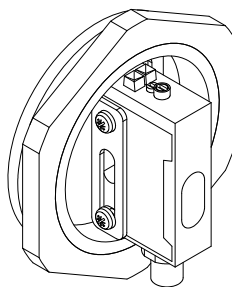
See "Air supply" on page 25.



See "Tower" on page 15.



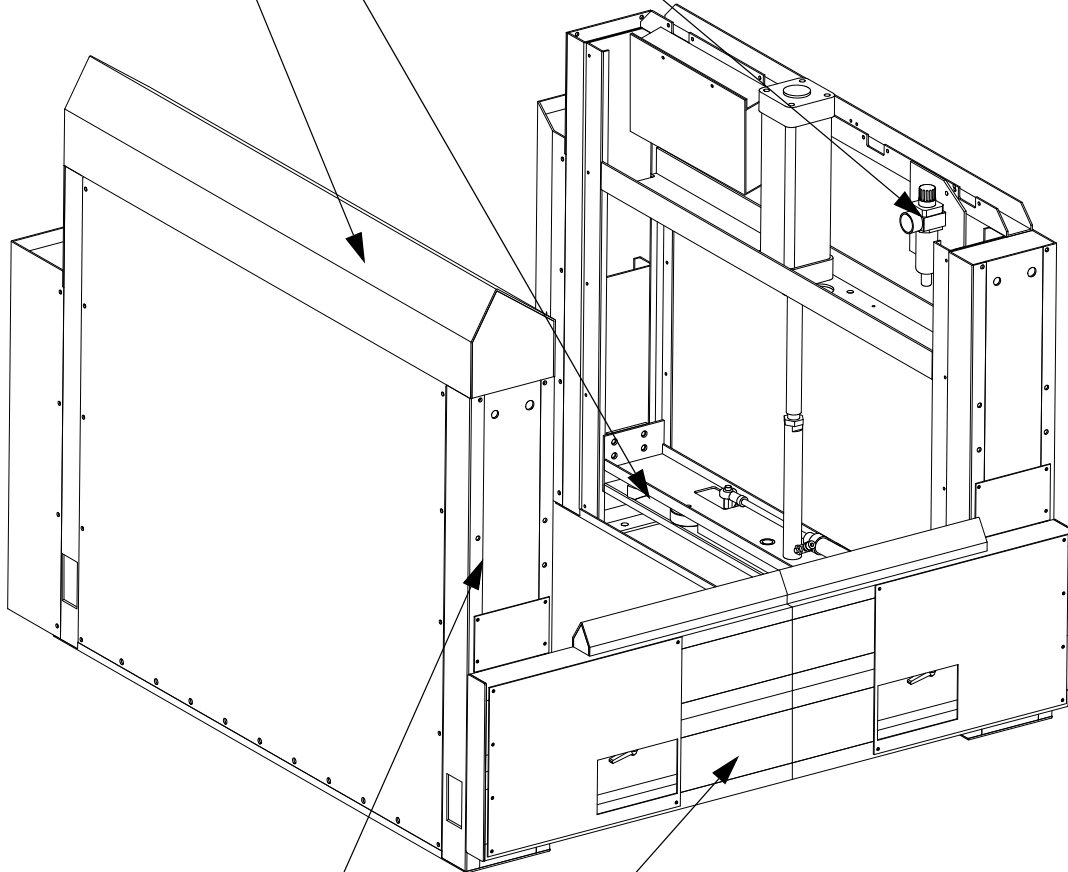
See "Accessories" on pages 2123.



See "Pneumatic diagram" on page 30.

See "Lifting arrangement" on page 13.

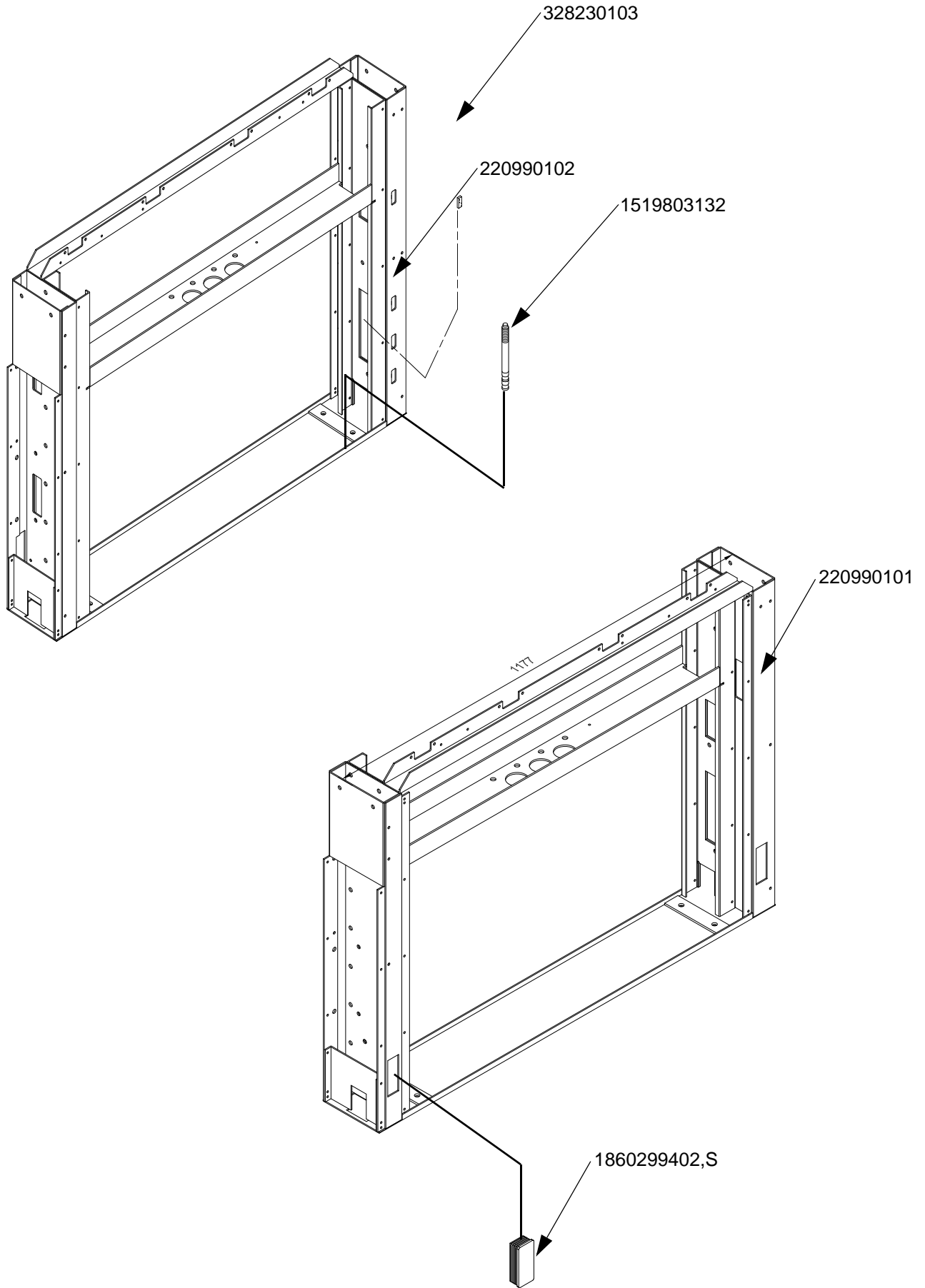
See "Covering" on page 10.



See "Body" on page 7.

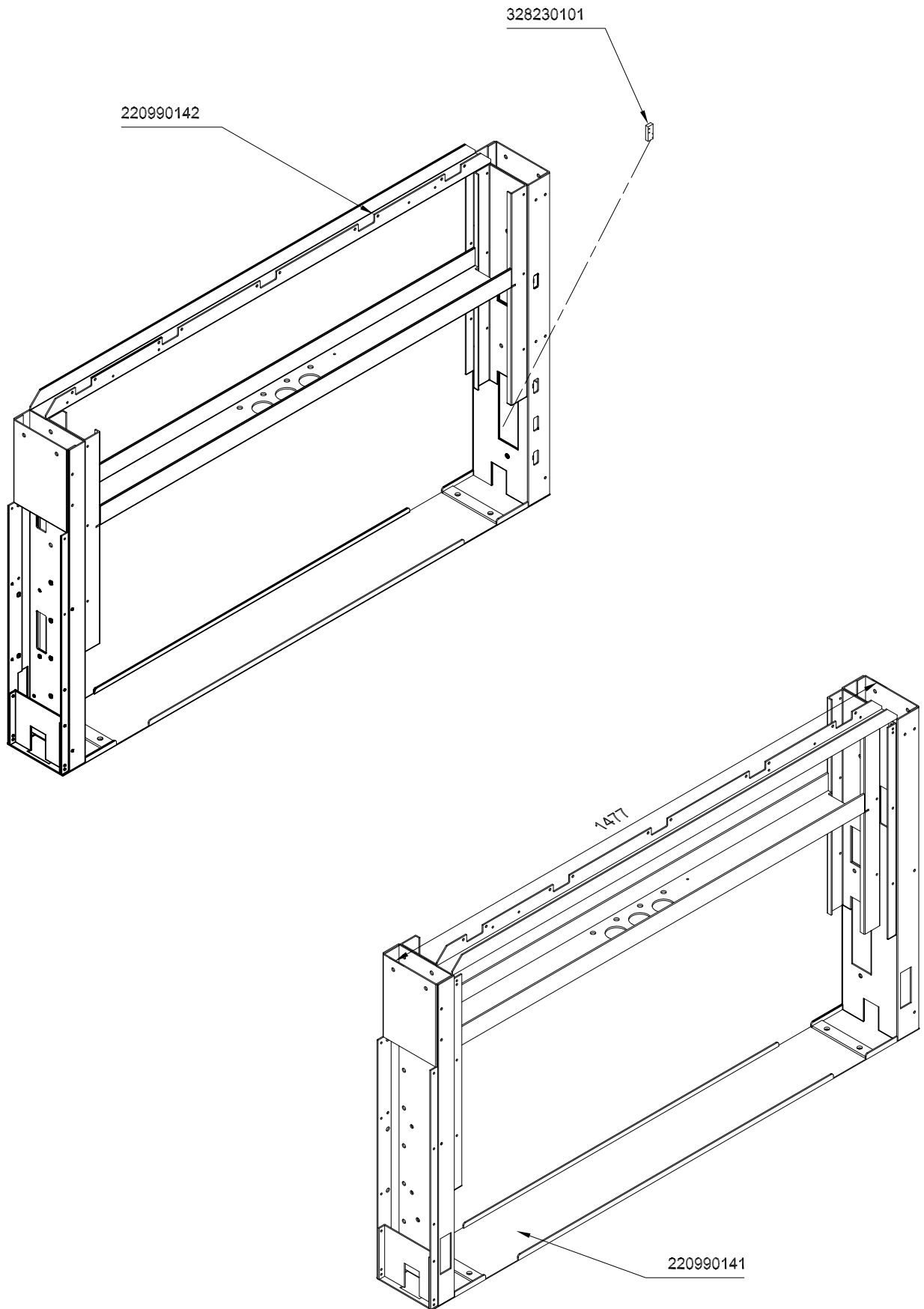
See "Rear section" on page 14.

Body



PalManager

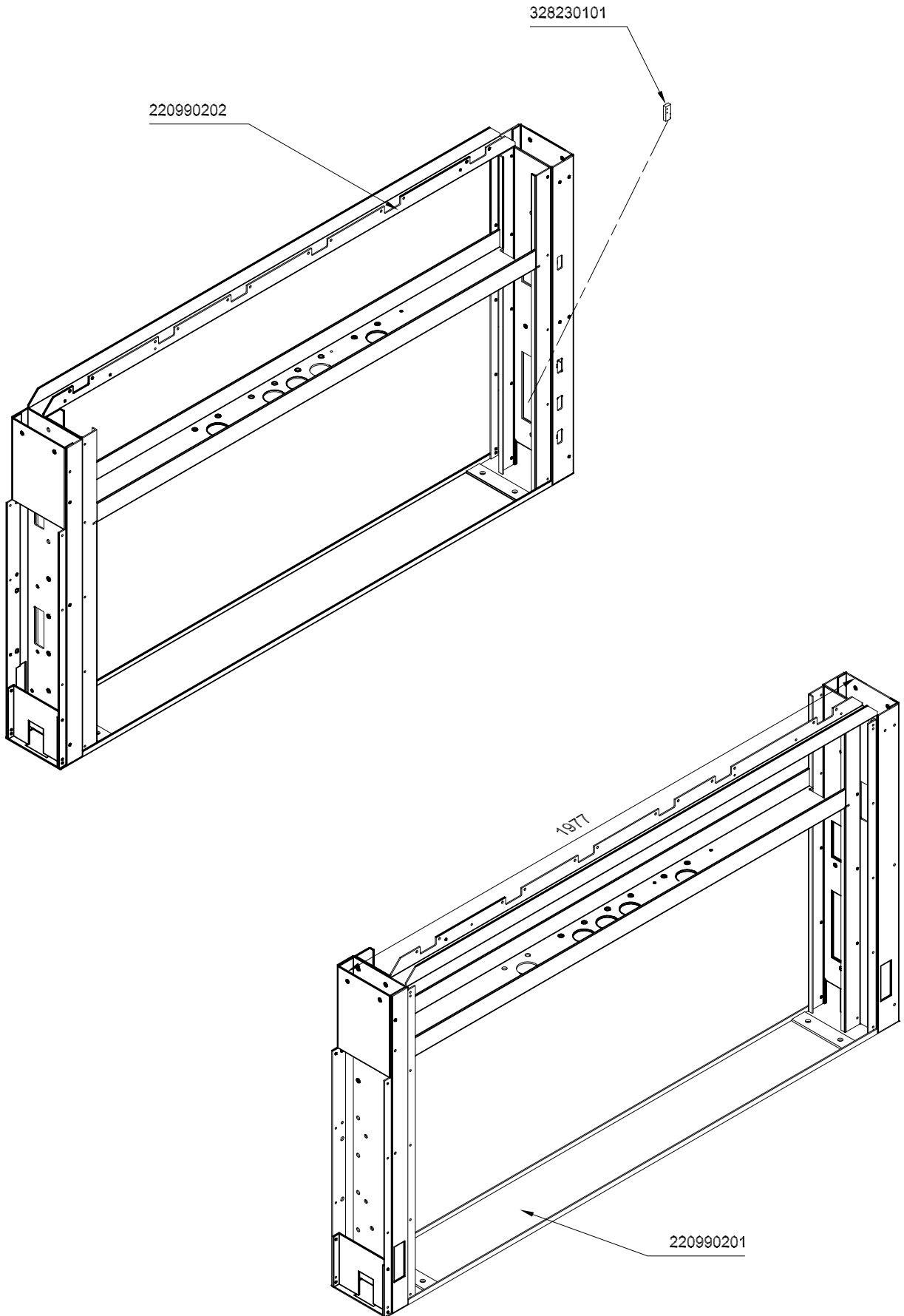
4-way body



PalManager

Model "I" body

Model "I" body



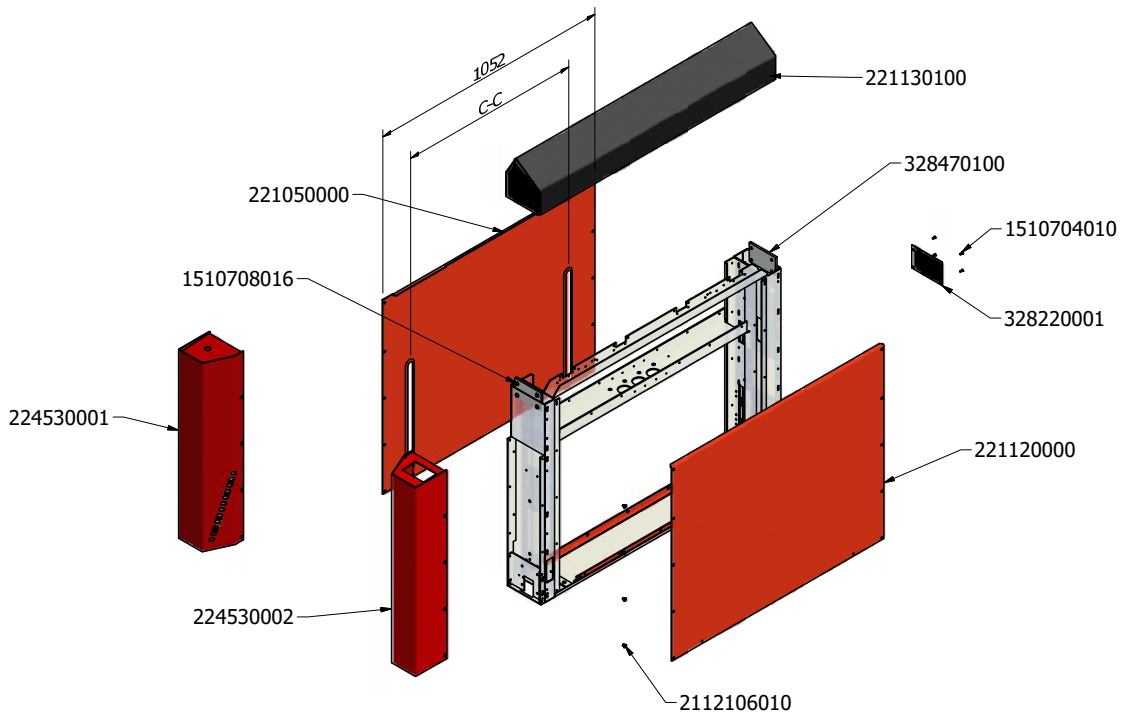
Reserveleiste 22099
Spare parts list 430-6-15

PalManager

2005.06.01

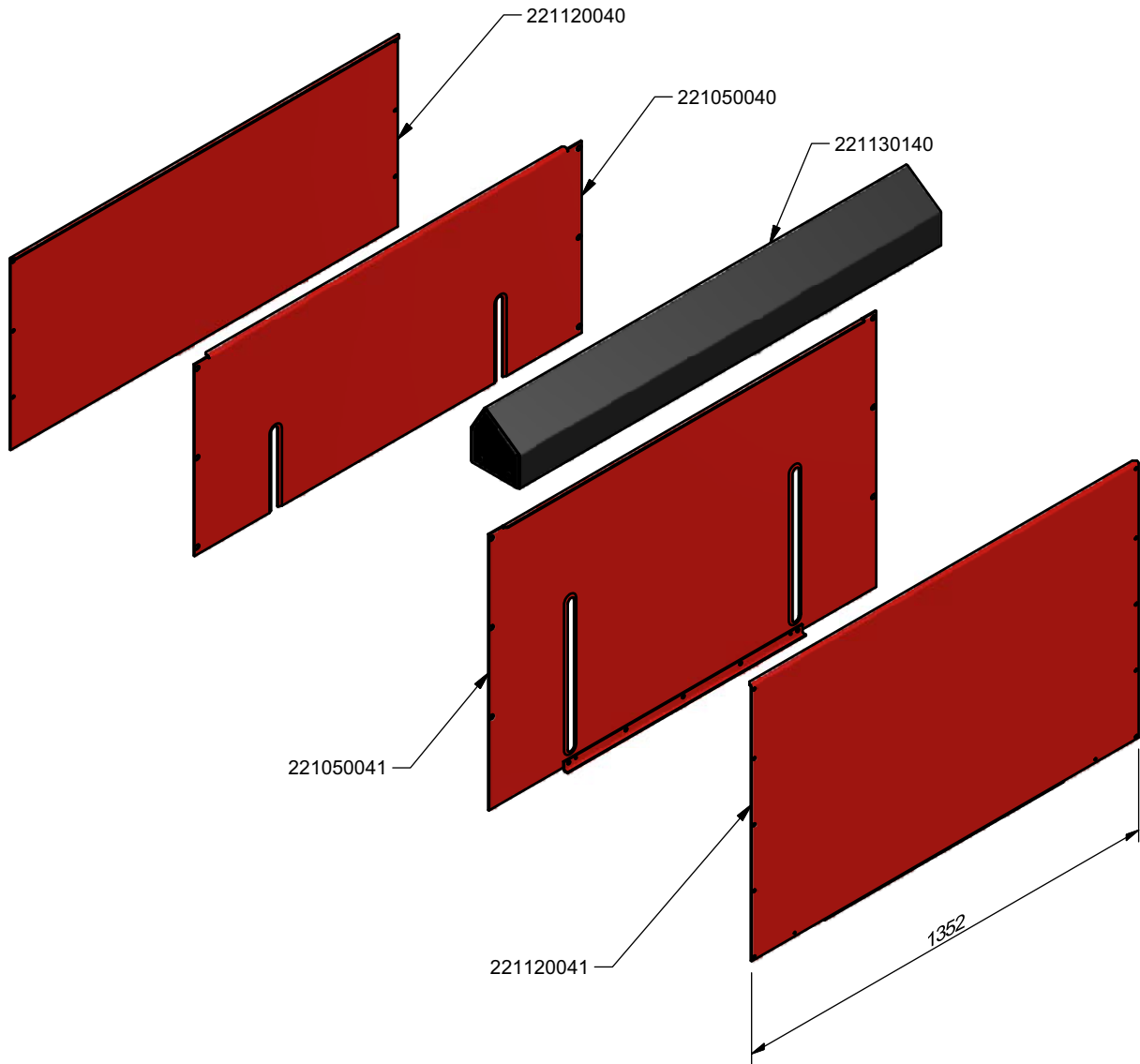


C - C	1
728	221050000
285	221050002



PalManager

4-way covering



Reserveleiste 22104
Spare parts list 430-6-15

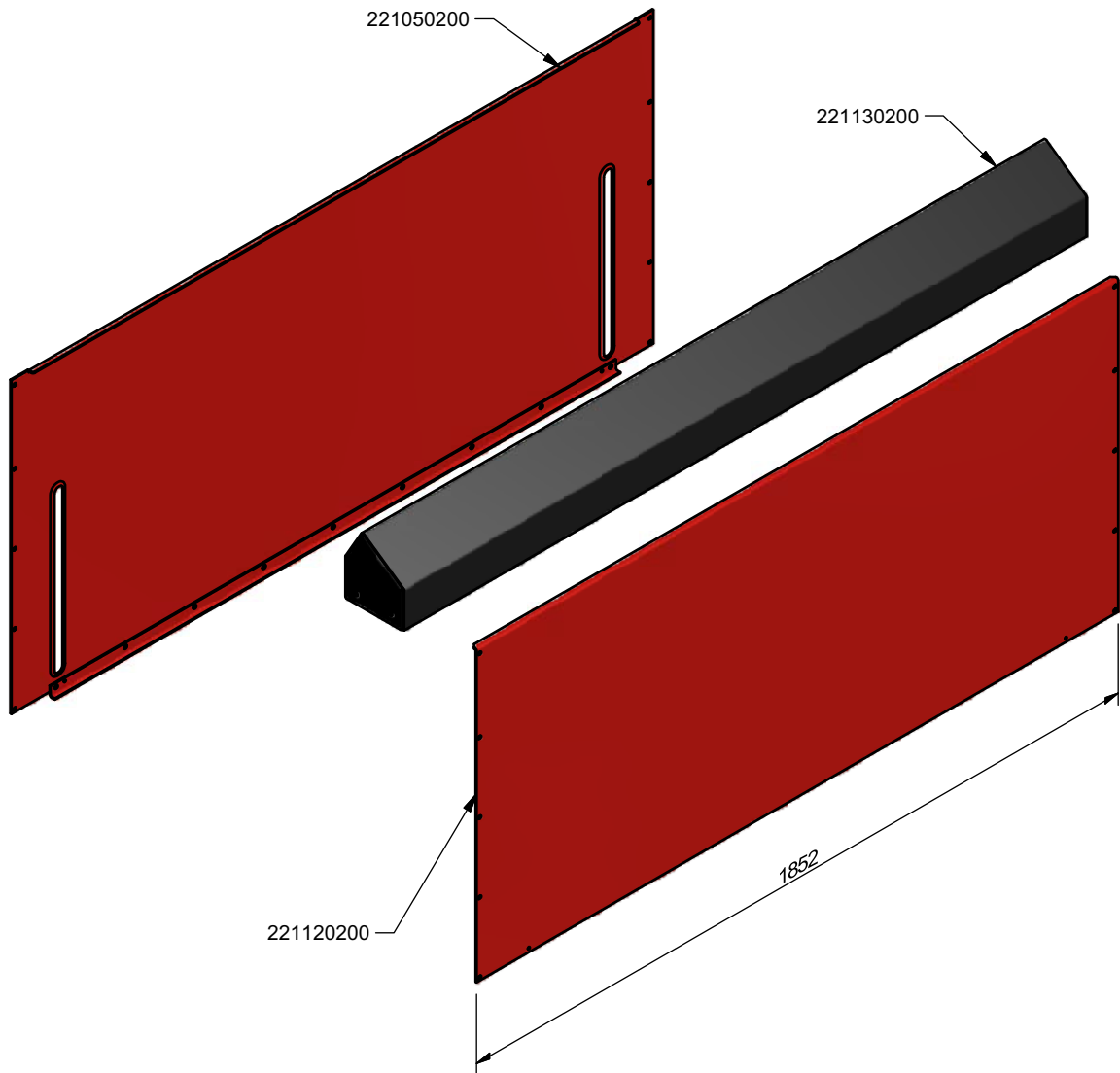
PalManager

2014-03-24

11



Model "I" covering



Reserveleiste 22104
Spare parts list 430-6-15

PalManager

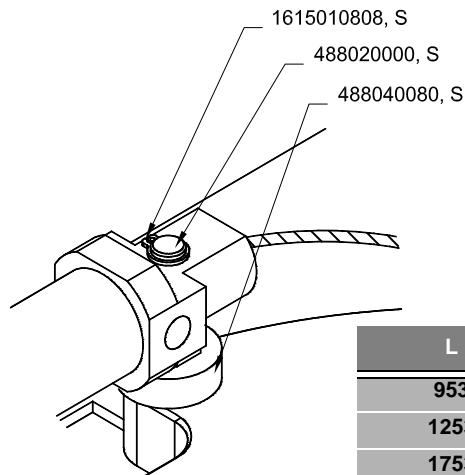
2014-03-24

12

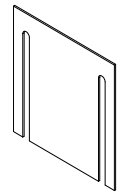


Lifting arrangement

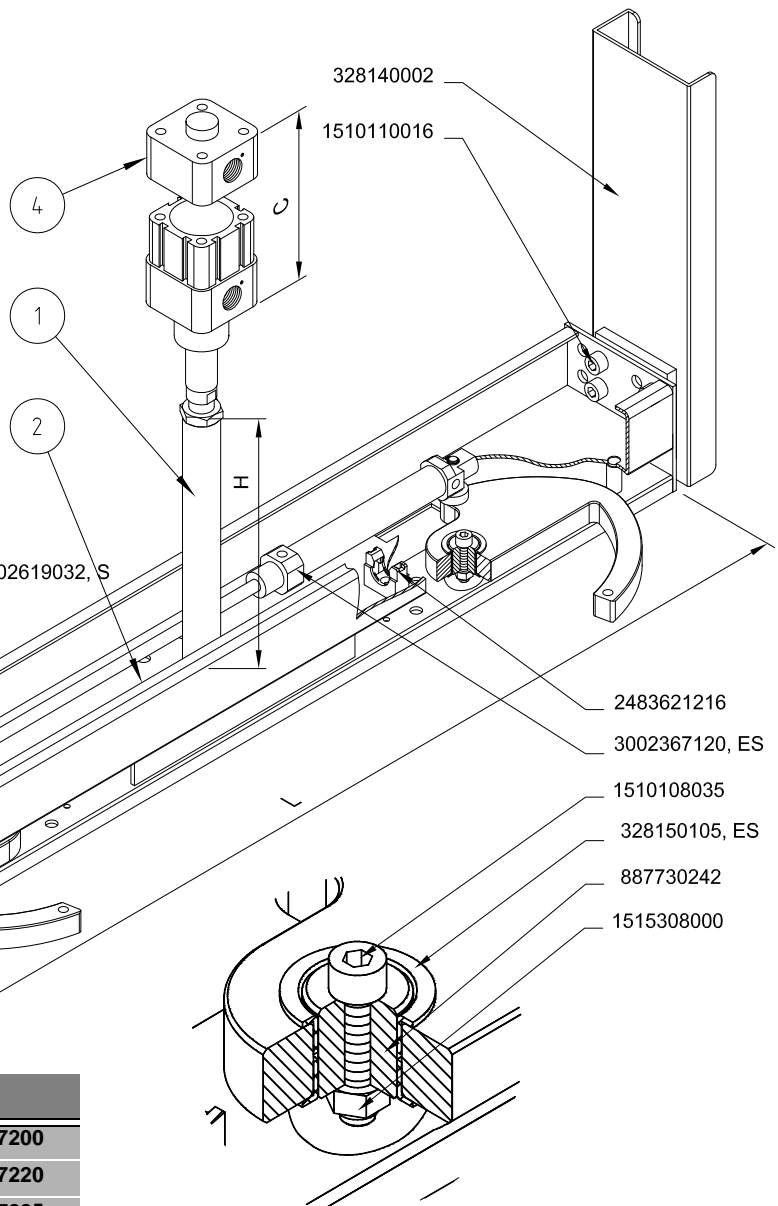
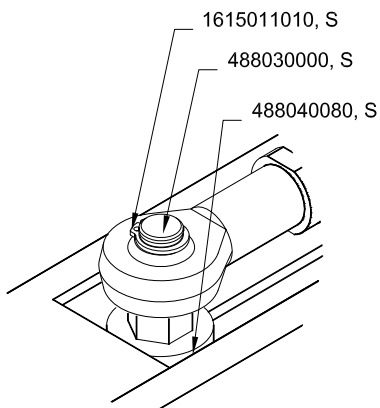
H	1
50	328160500
115	328161150
130	328161300
150	328161500
185	328161850
195	328161950
225	328162250
230	328162250
240	328162400
255	328162550



487740001



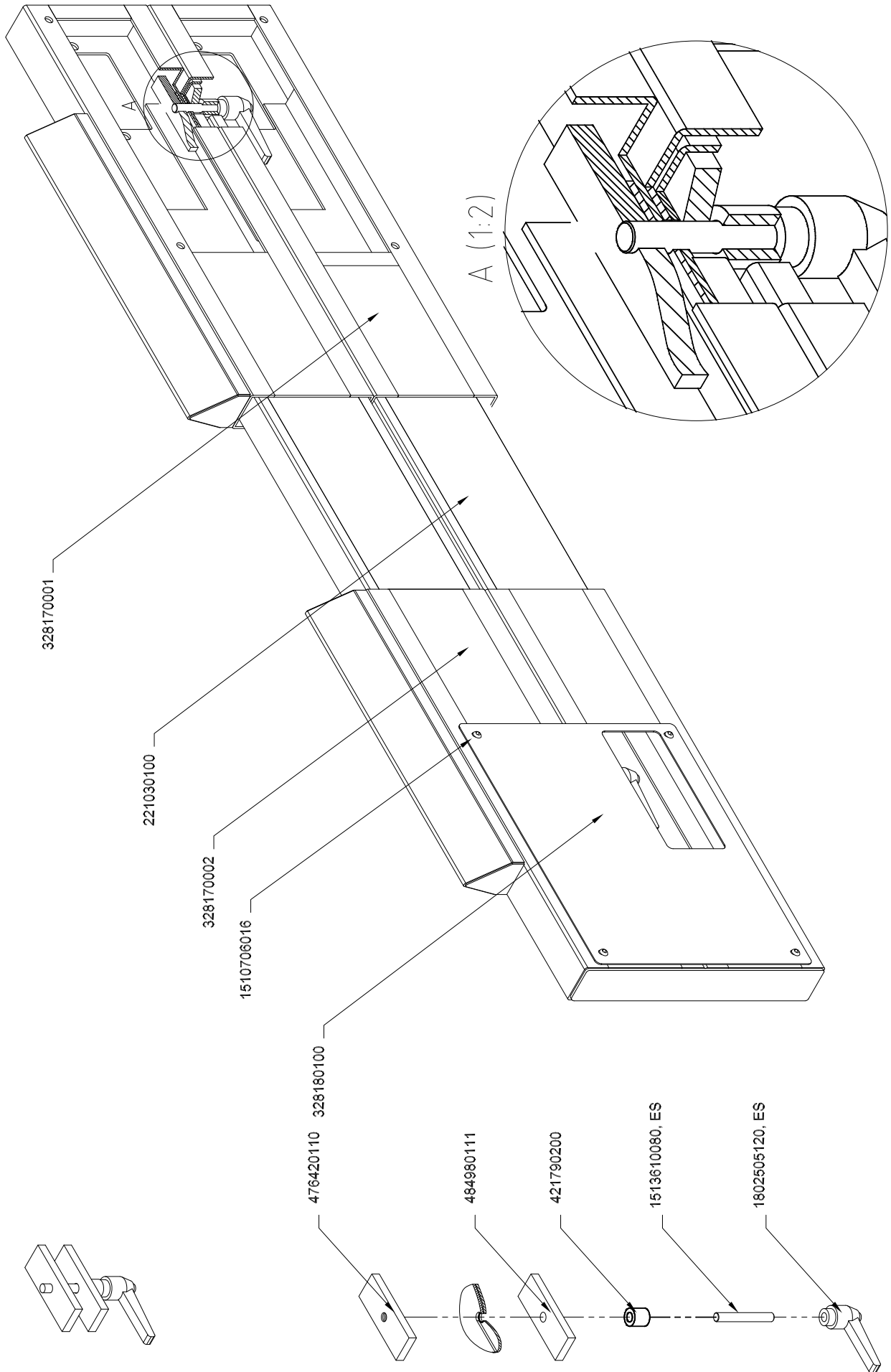
L	2
953	328120000
1253	328120040
1753	328120200



C	4
328	3002327200
348	3002327220
353	3002327225
393	3002327265

PalManager

Rear section



Reserveleiste 22102
Spare parts list 430-6-15

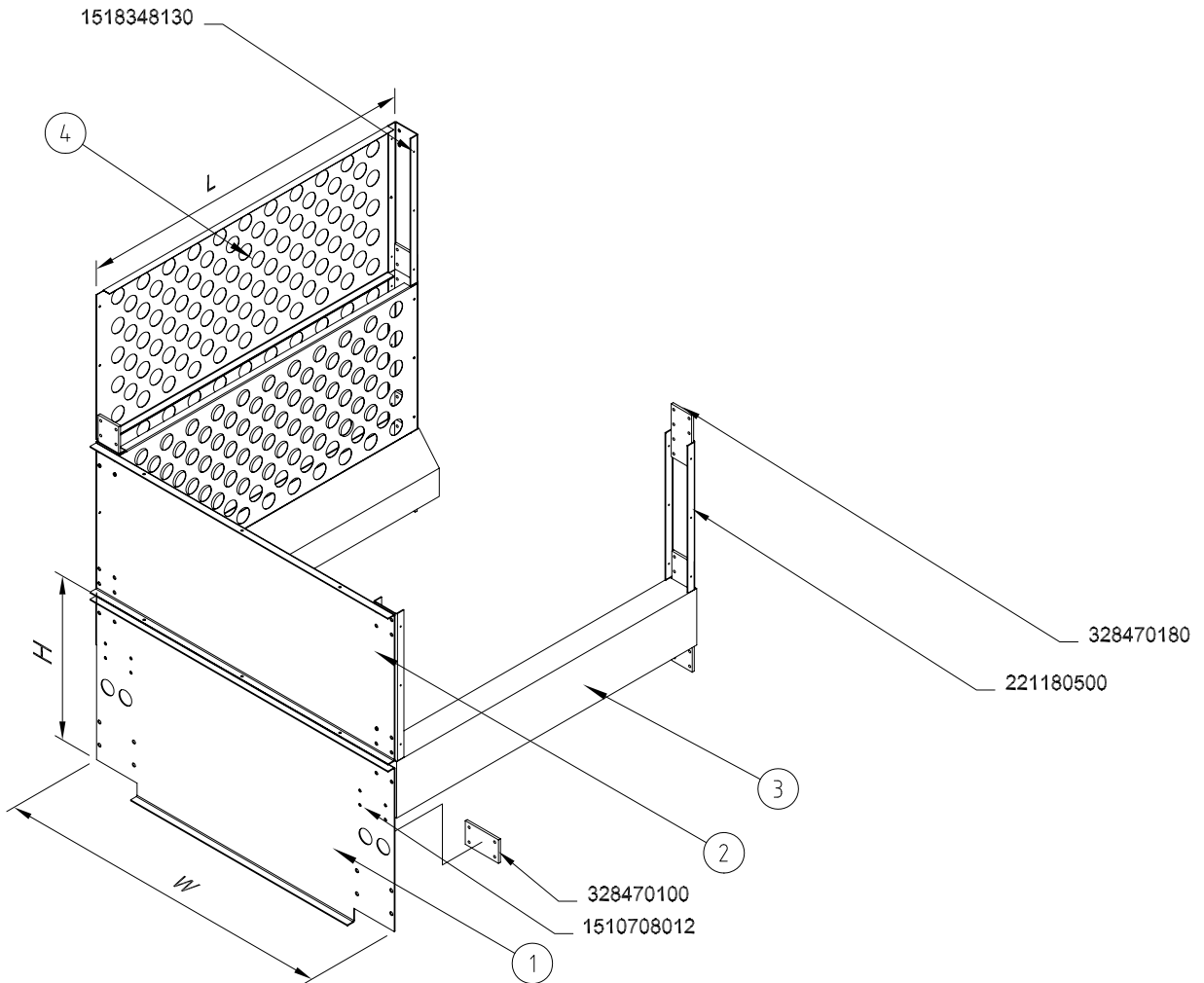
2004.04.15



Tower

Optional

1	H			2
W	299	379	619	492
1168	221210802	221210801	221210800	221200850
1368	221211002	221211001	221211000	221201050
1568	221211202	221211201	221211200	221201250



L	3	4
1167	221170100	221190500
1967	221170200	221190502

Reserveleiste 22115
Spare parts list 430-6-15

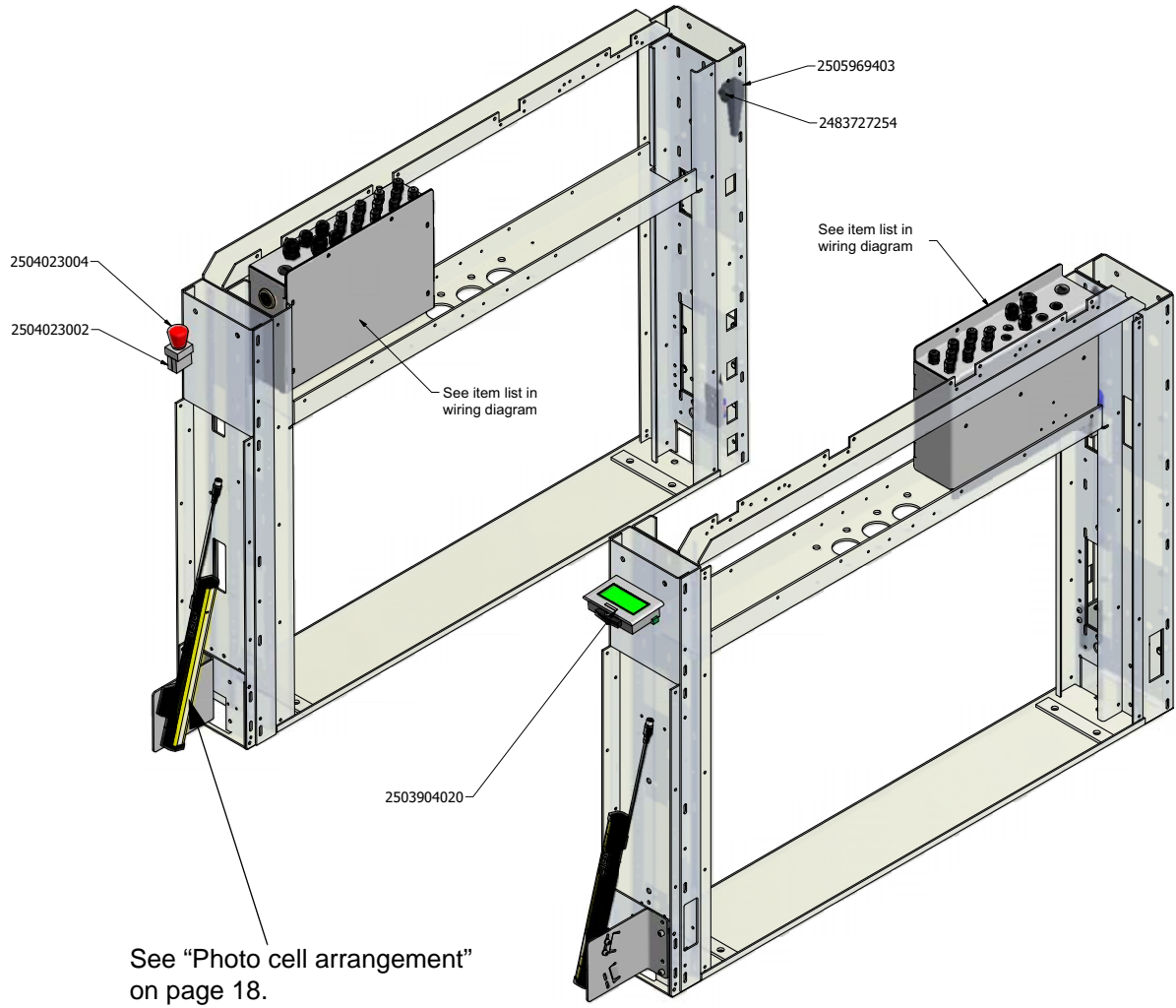
PalManager

2009.05.01

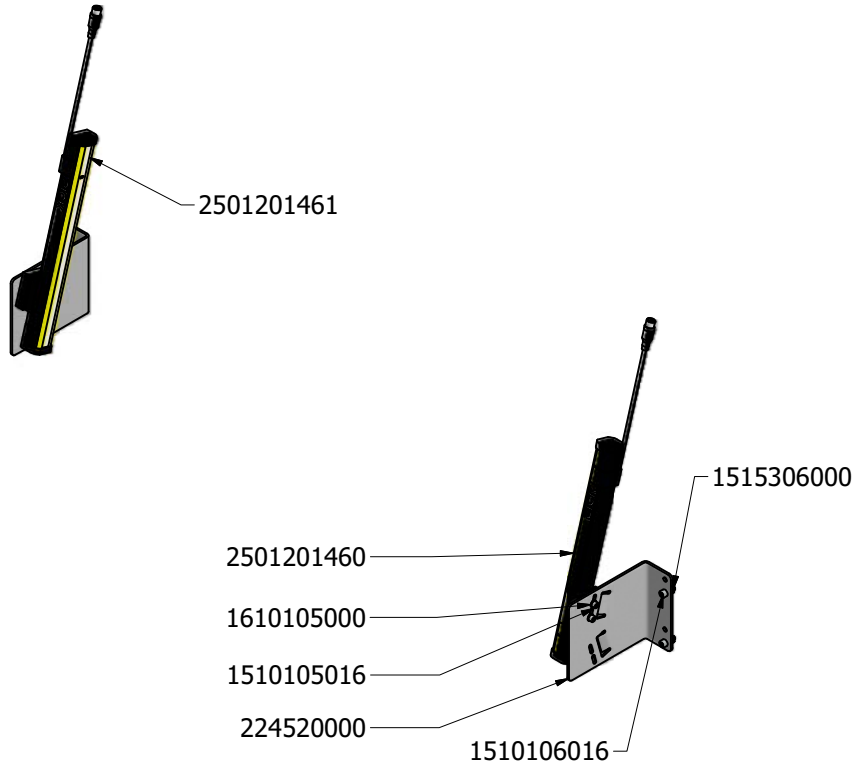
15



Electrical arrangement



Safety light arrangement





See "Safety light arrangement" on page 17.

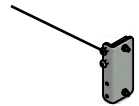


See "Reflector for Photo cell -PM-B6" on page 20.

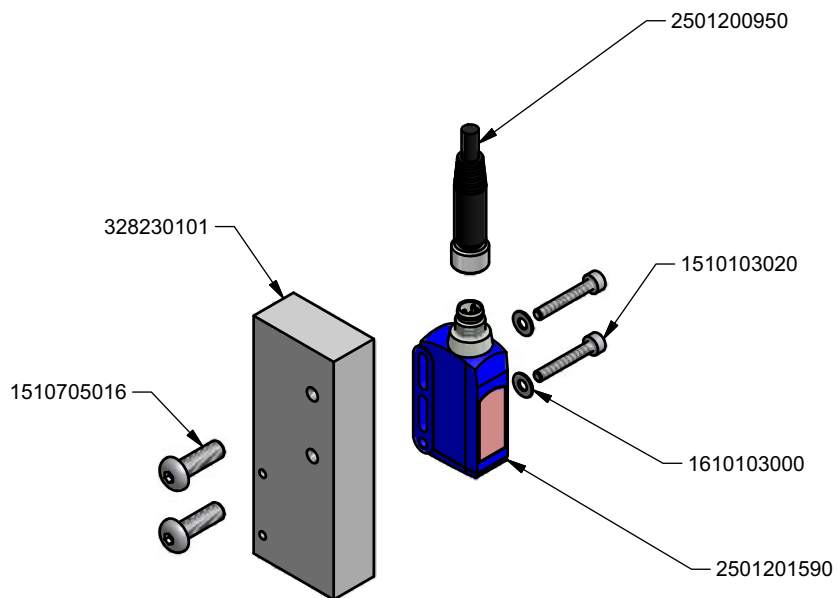
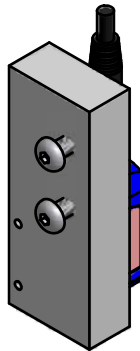


See "Photo cell -PM-B6" on page 19.

See "Minimum level alarm (-PM-B13)" on page 22.



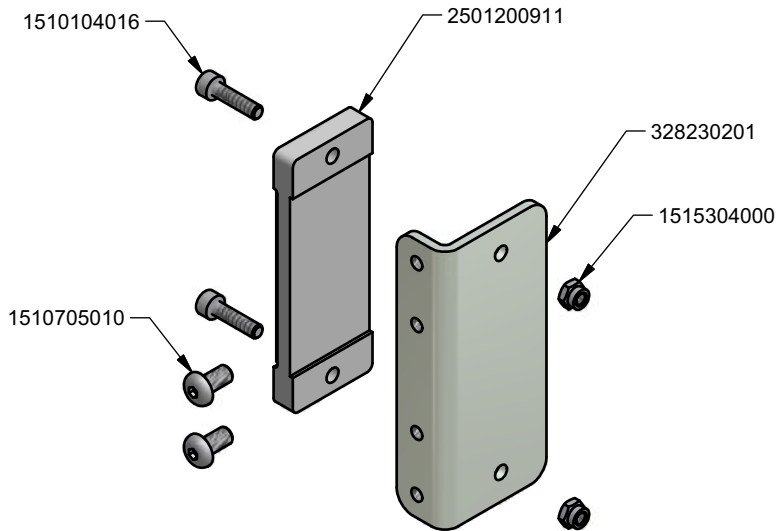
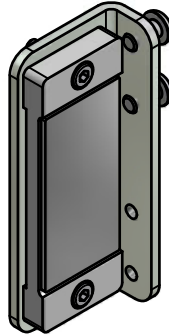
339170060



PalManager

Reflector for Photo cell -PM-B6

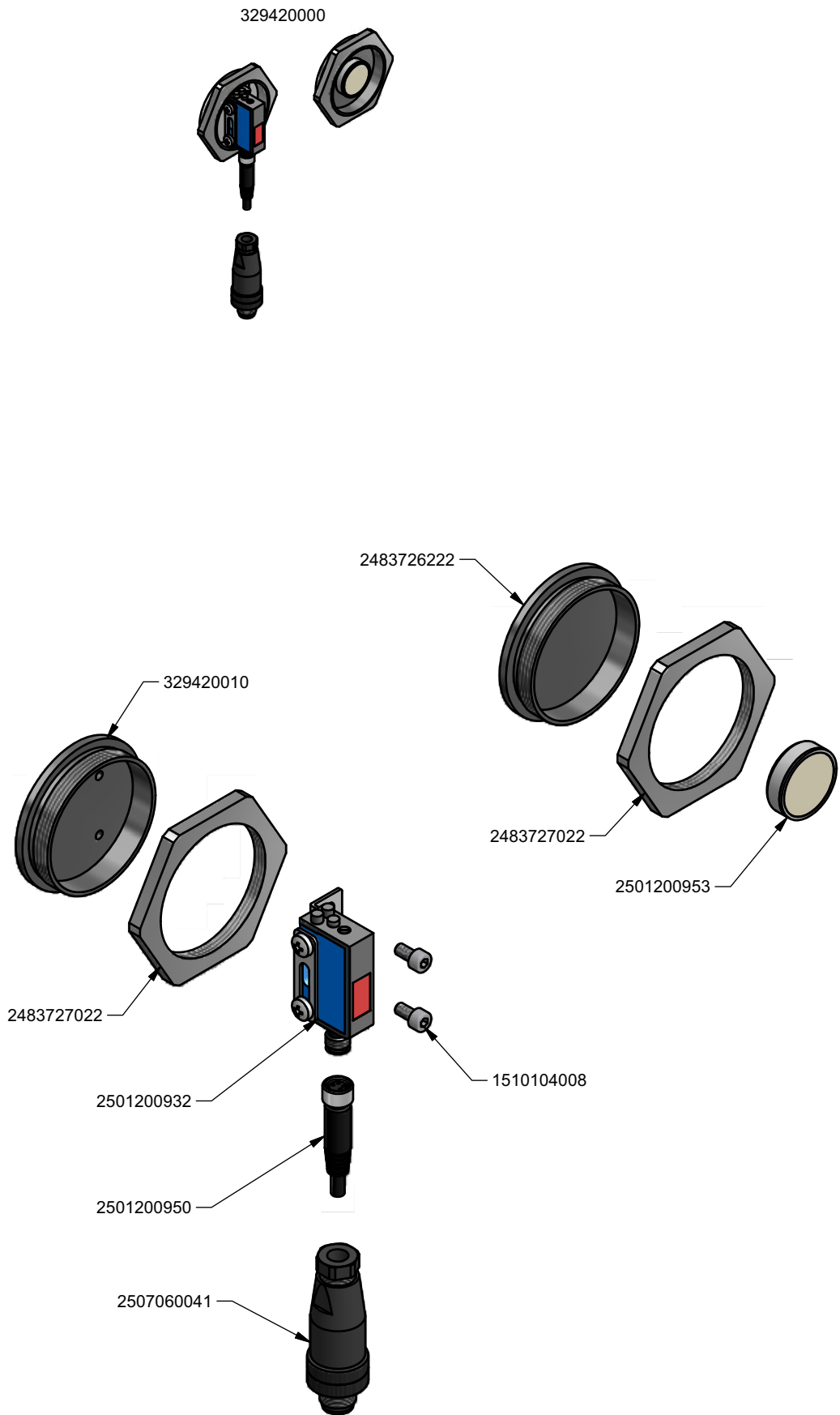
339170061



PalManager

Maximum level alarm (-PM-B12)

Optional



Minimum level alarm (-PM-B13)

Minimum level alarm (-PM-B13)

Optional



329440000



2507060041

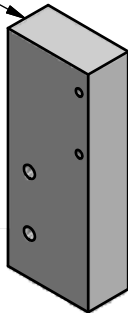


2501201523



2501201583

328230101



1510705016



1510103020

1610103000

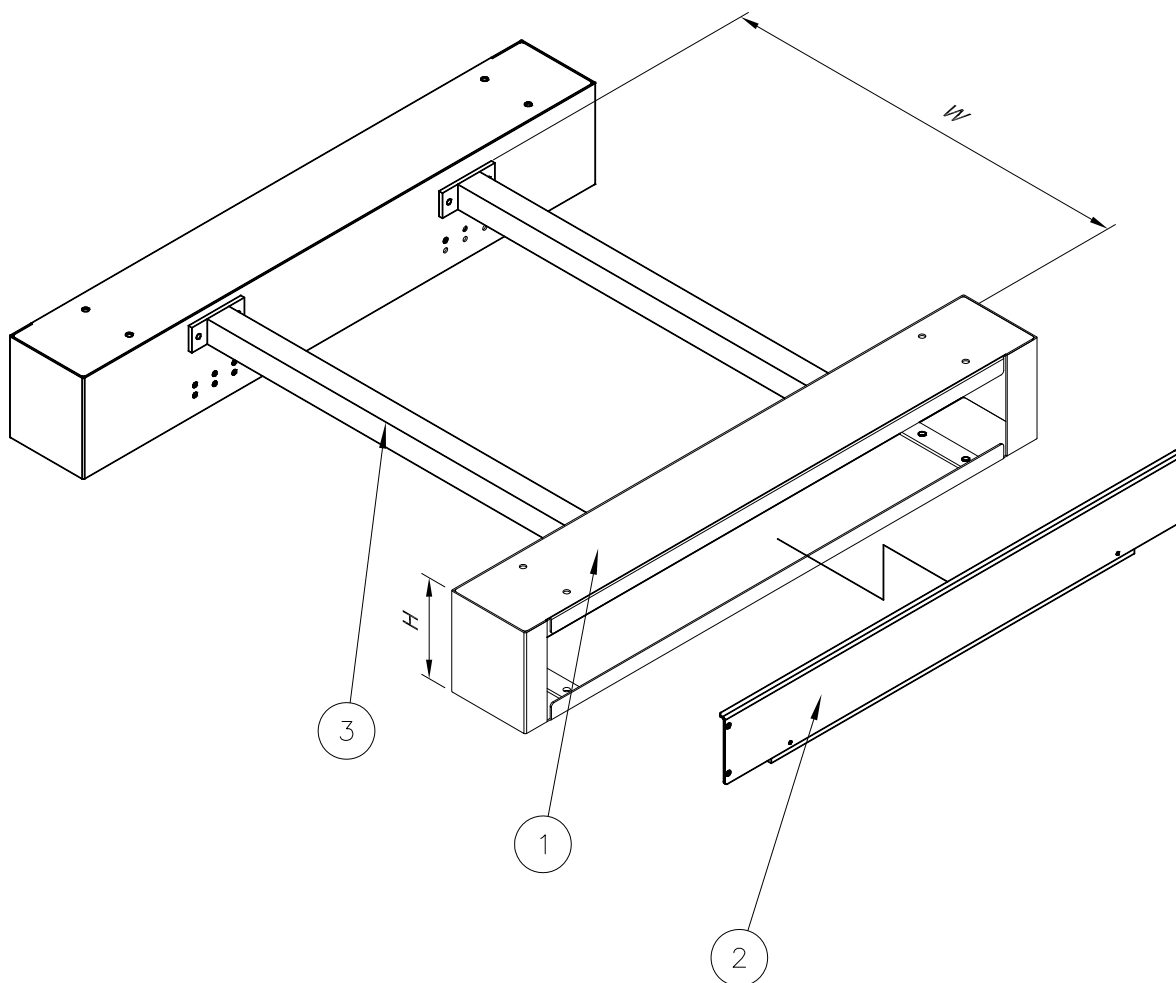
PalManager

Reserveleiste 32944
Spare parts list 430-6-15

Base frame

Optional

H	1	2
XXX in mm	220620XXX	220640XXX



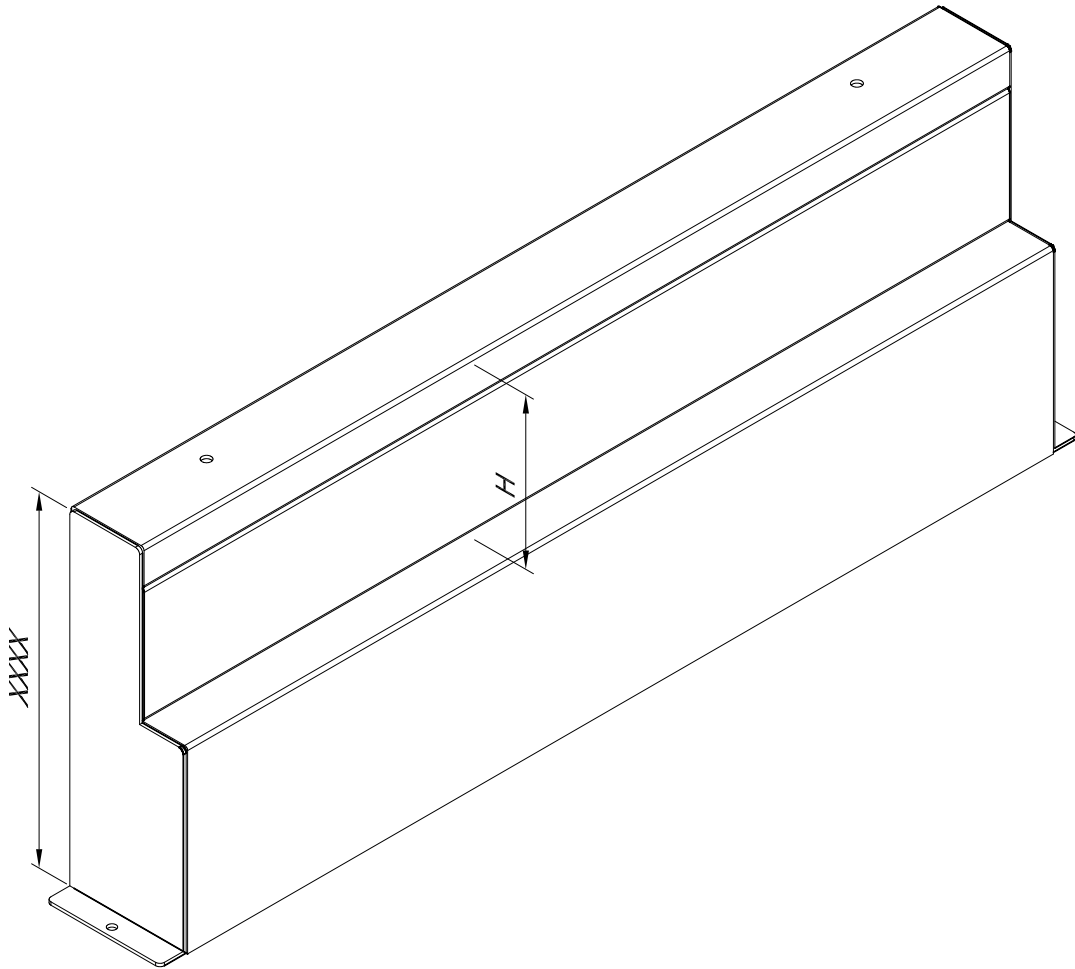
W	3
841	327540841
1041	327541041
1241	327541241

PalManager

Base frame light

Optional

H	XXXX -10 mm.
100	22255XXXX
200	22256XXXX



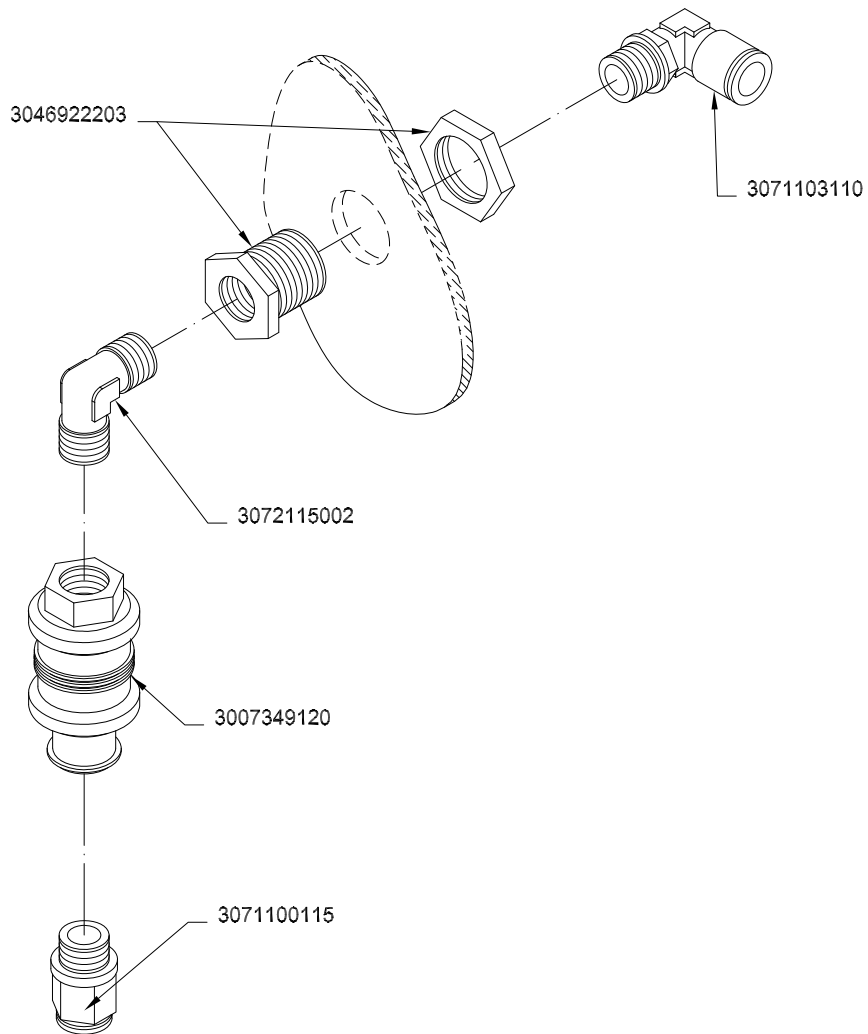
Reserveidisside 222560440
Spare parts list 430-6-15

PalManager

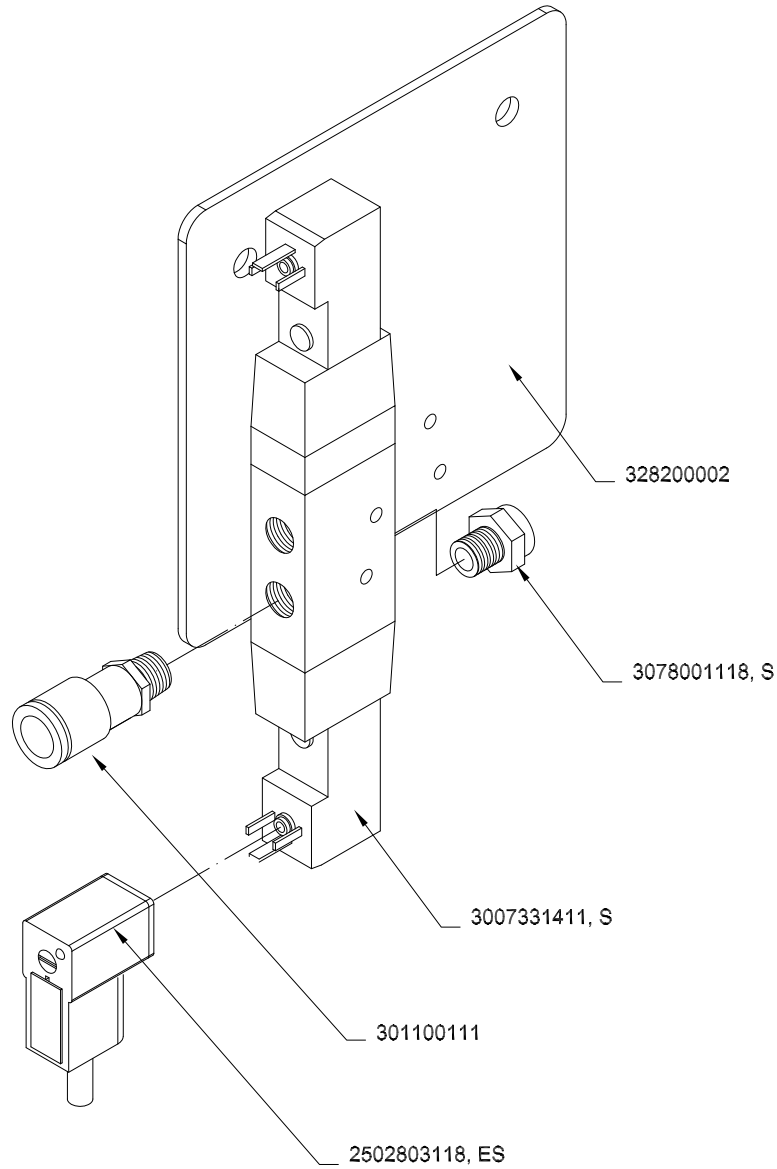
2005.07.12

24



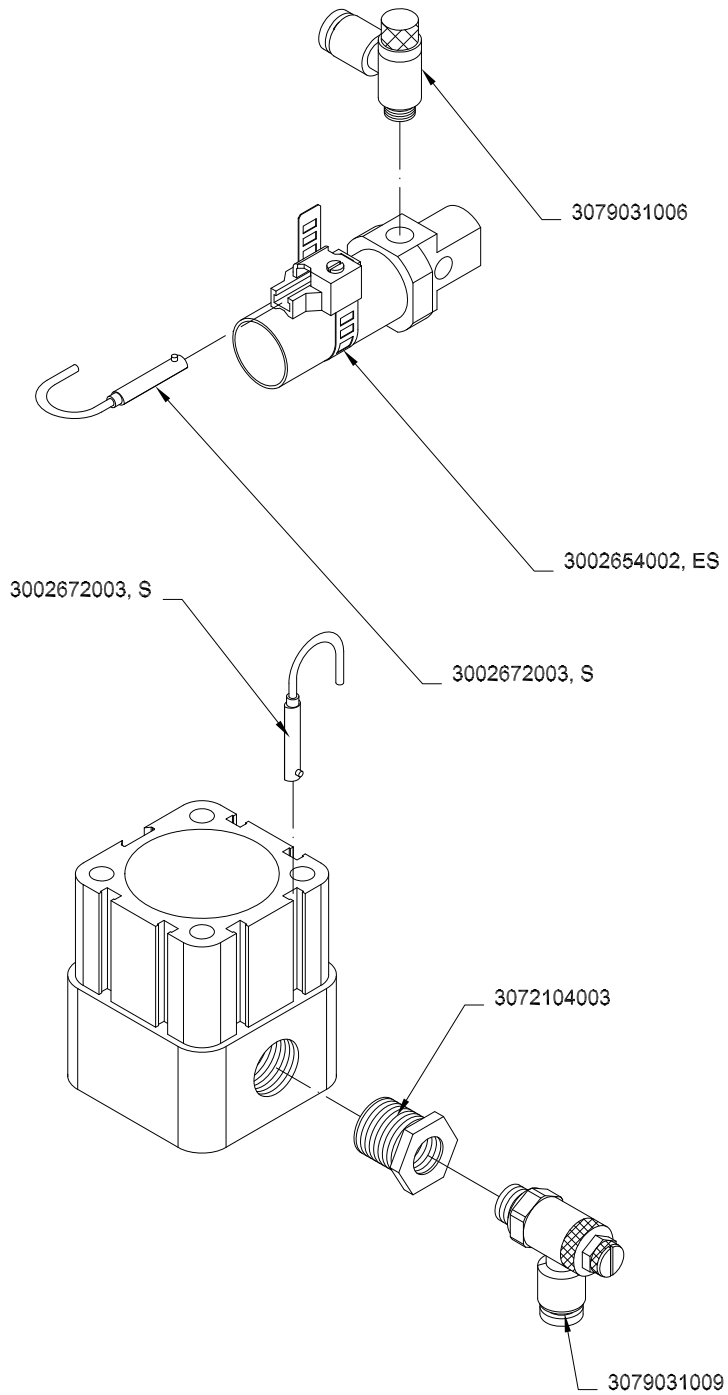


Second valve block



PalManager

Sensor device



Reserveleiste 32722
Spare parts list 430-6-15

PalManager

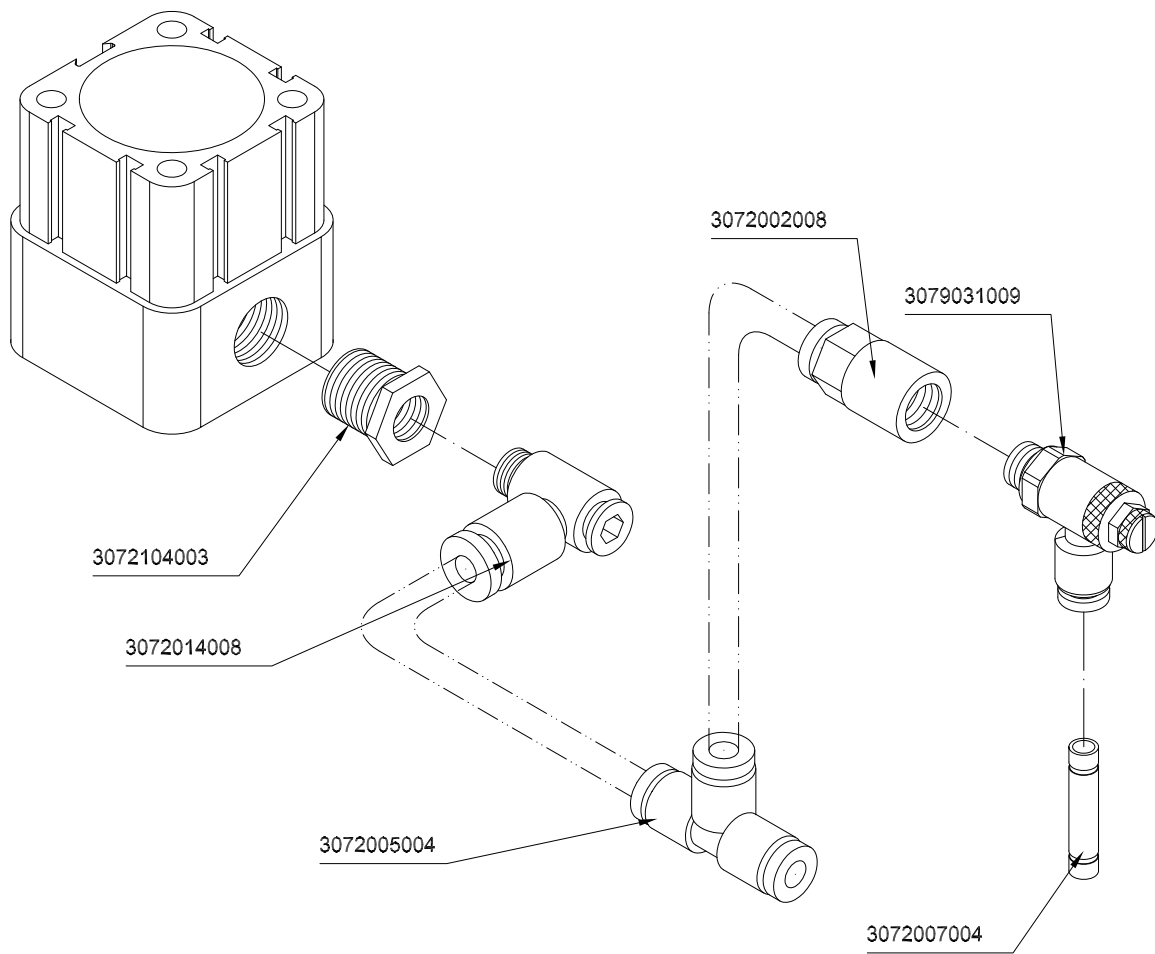
2004.02.02

28



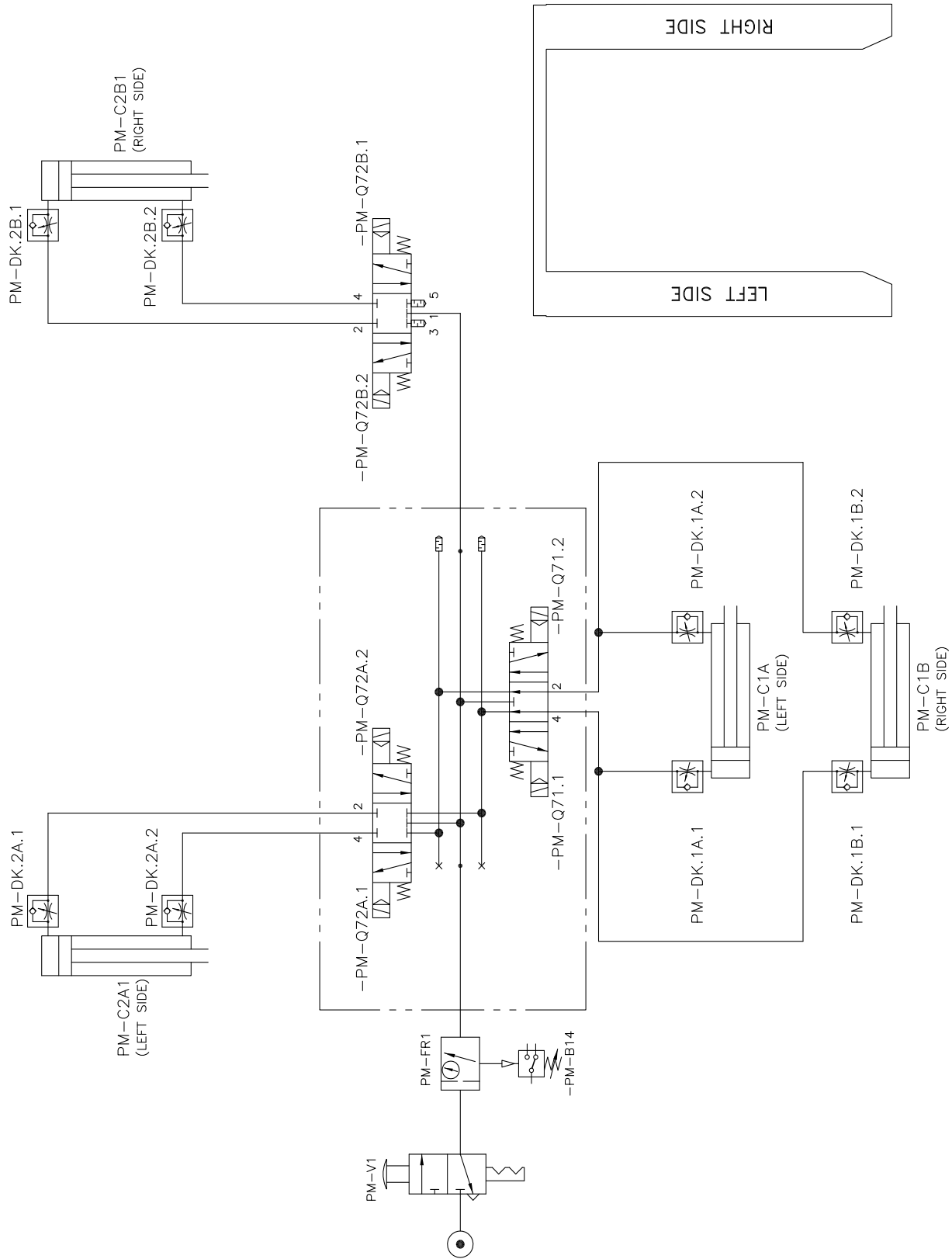
Tower model

Optional



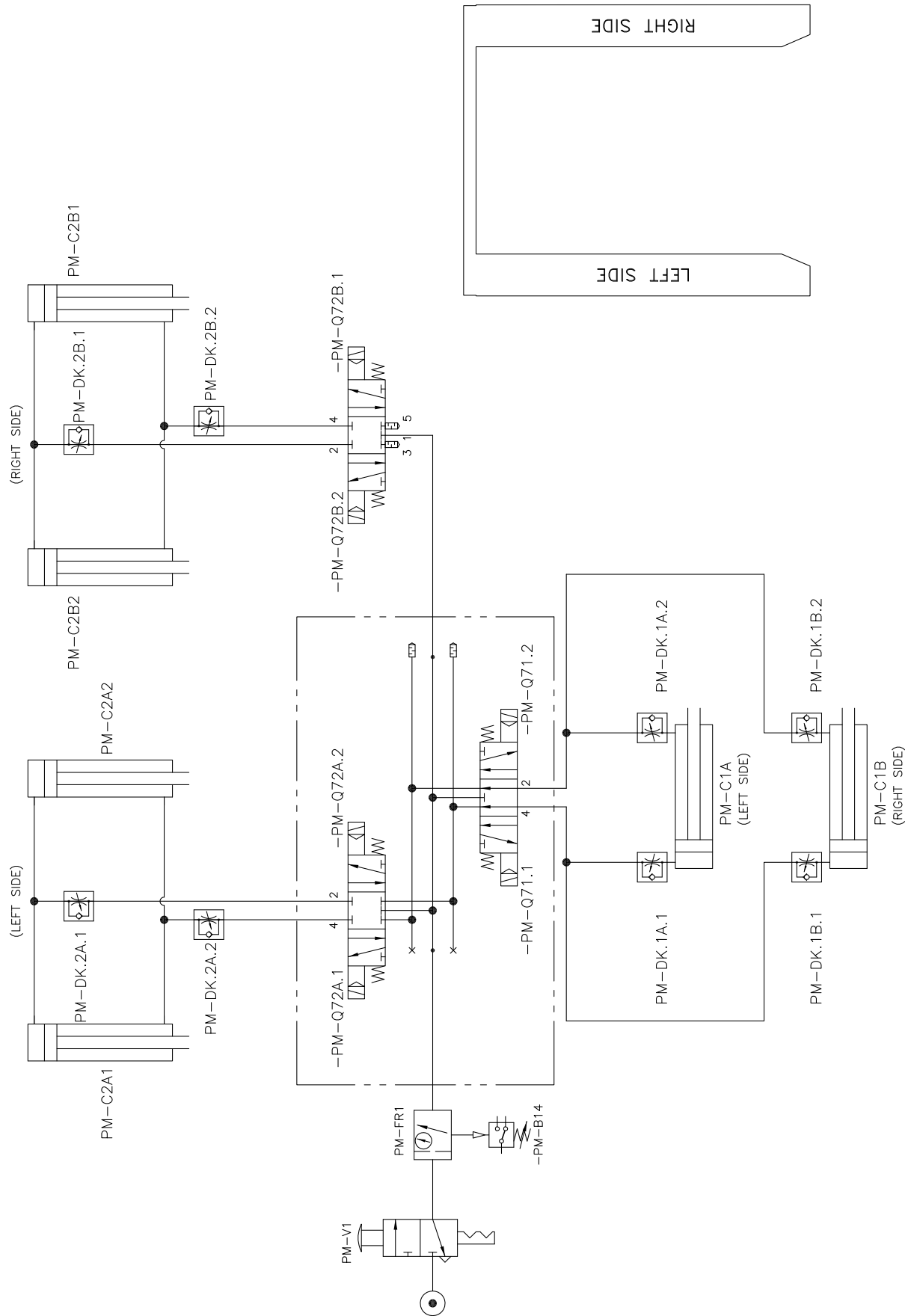
Pneumatic diagram

2 lifting cylinders



Pneumatic diagram

4 lifting cylinders



Reserveleiste 32783
Spare parts list 430-6-13

2014.03.24

