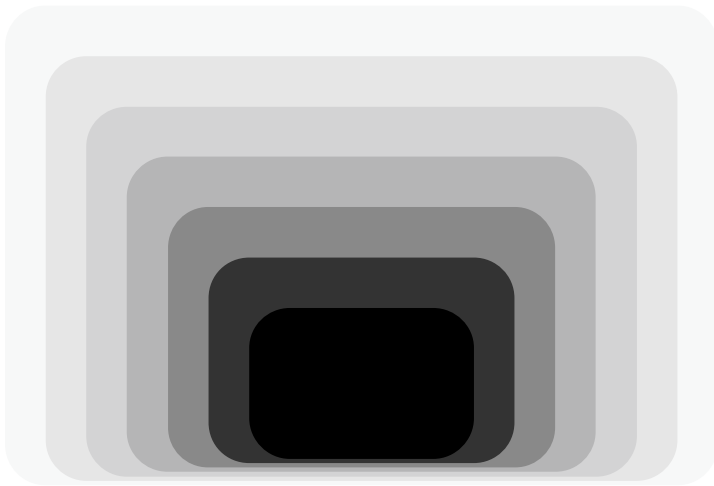
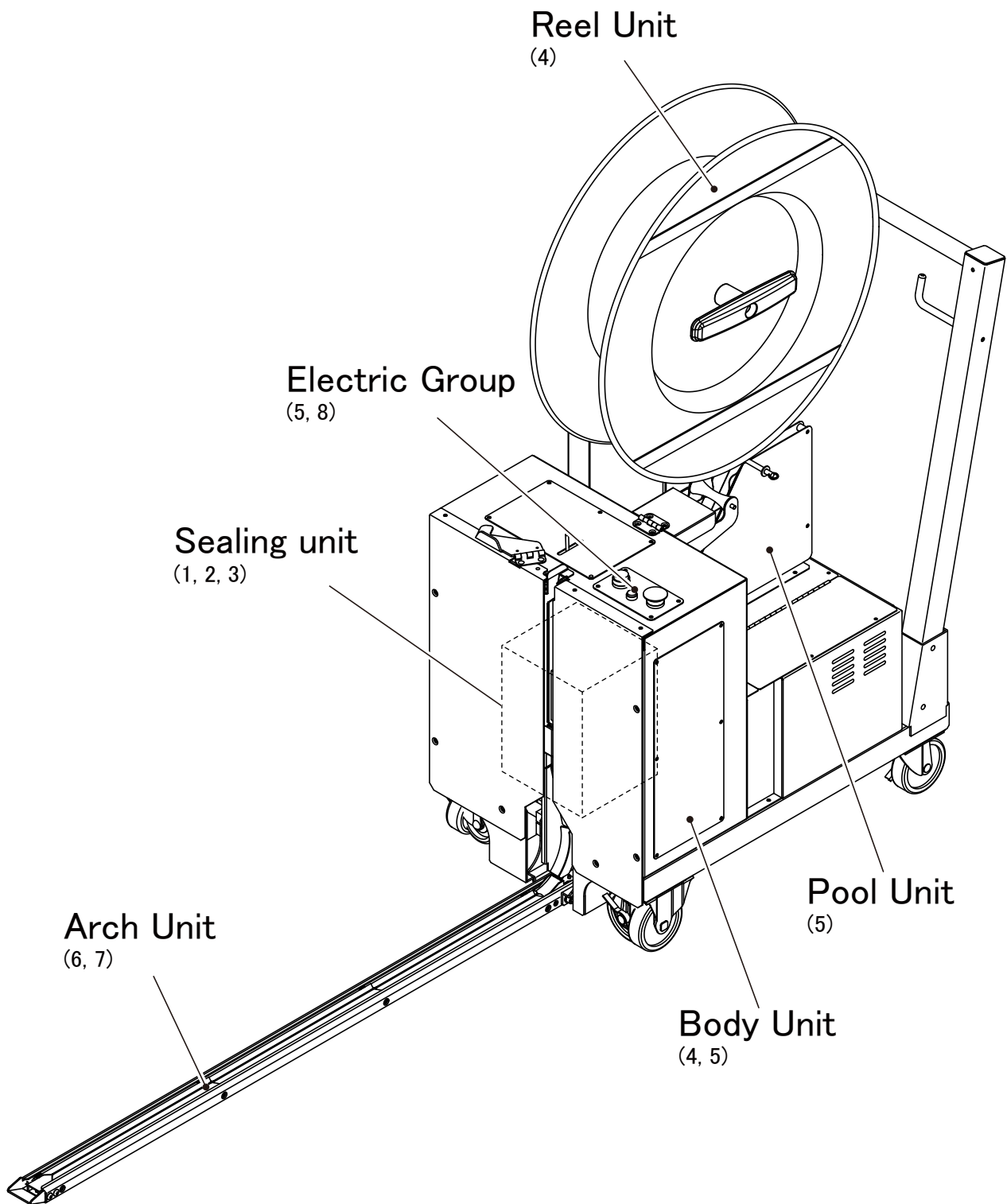
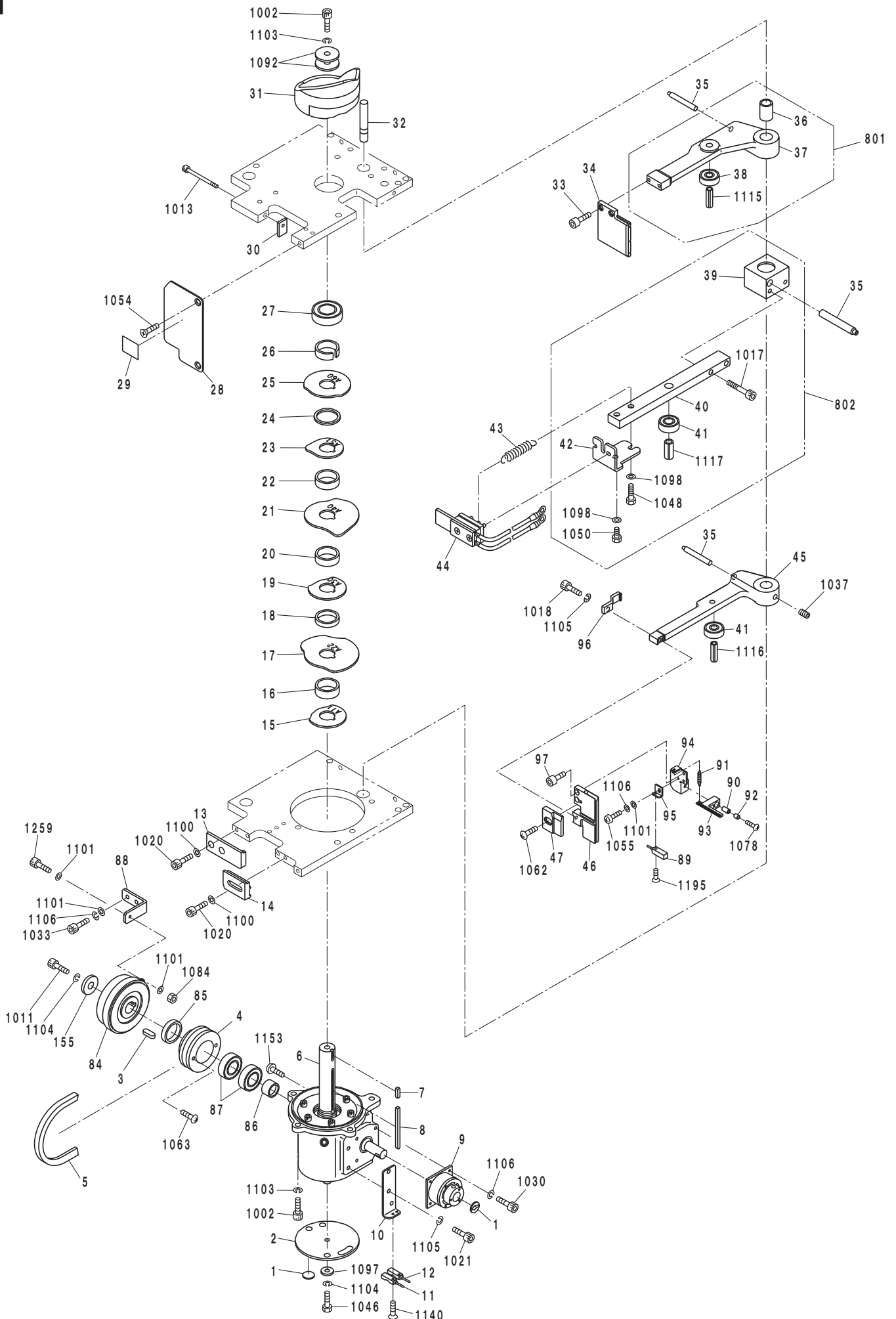


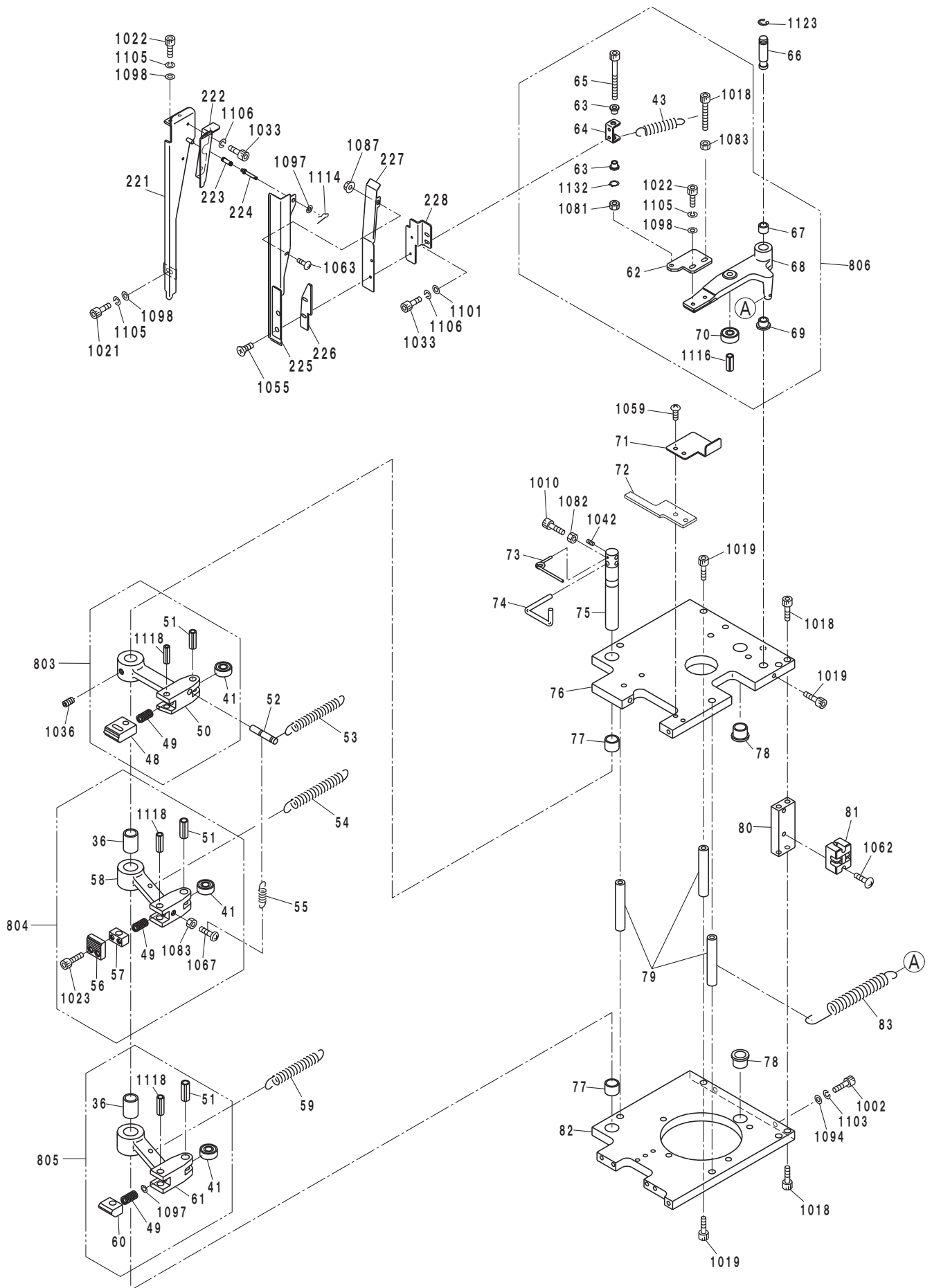
Strapping Machine **AQ-7PLT**



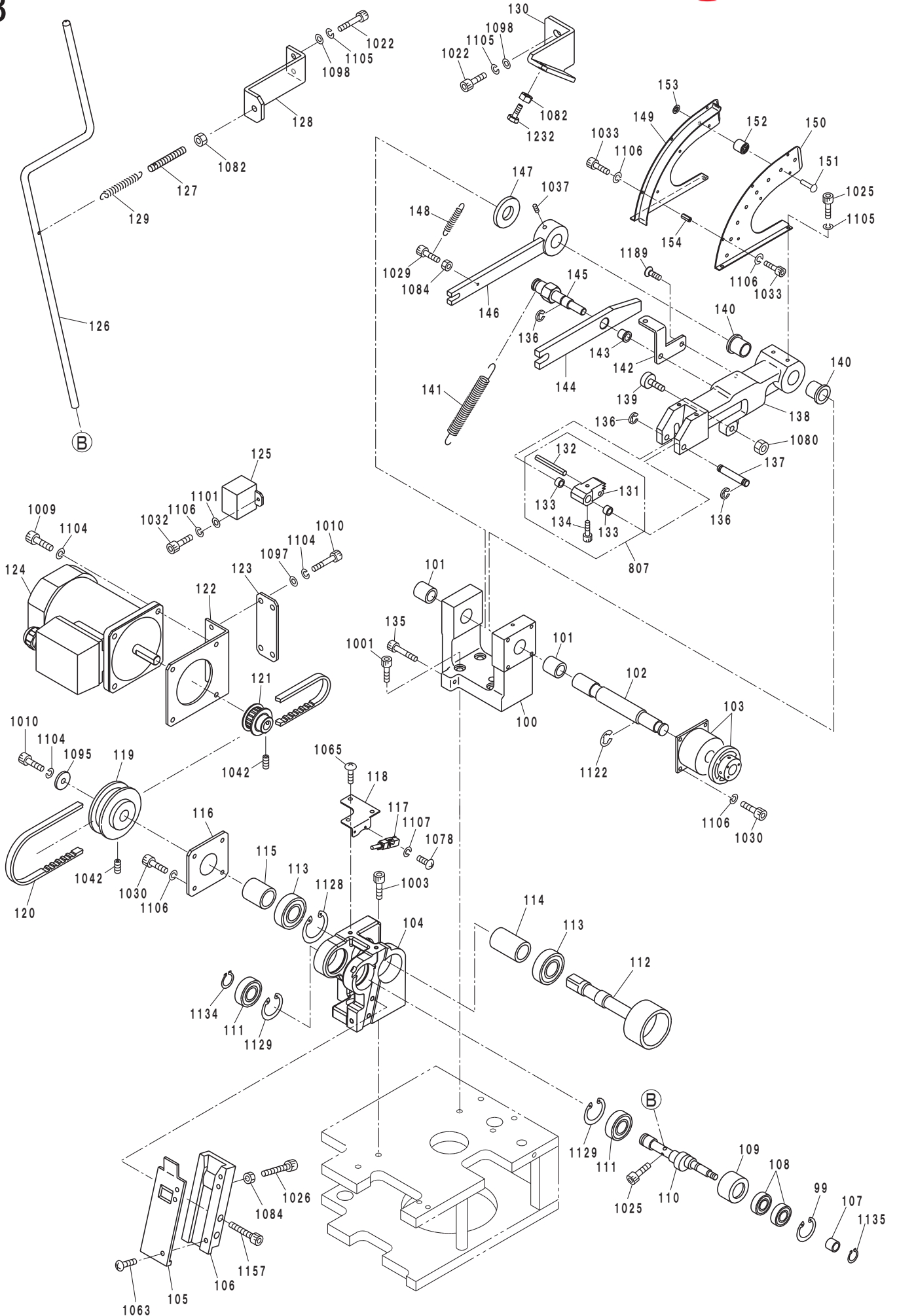
PARTS LIST

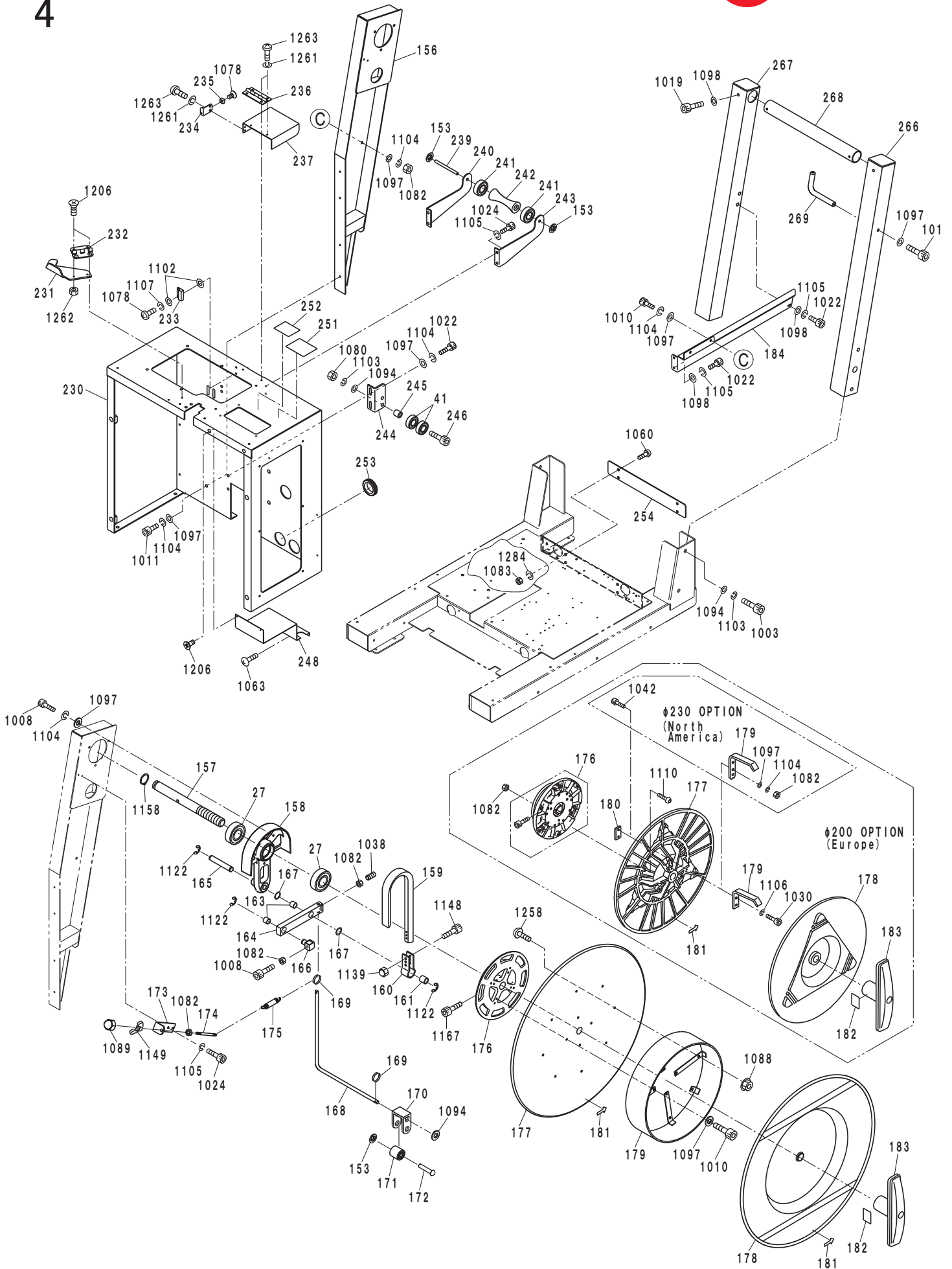


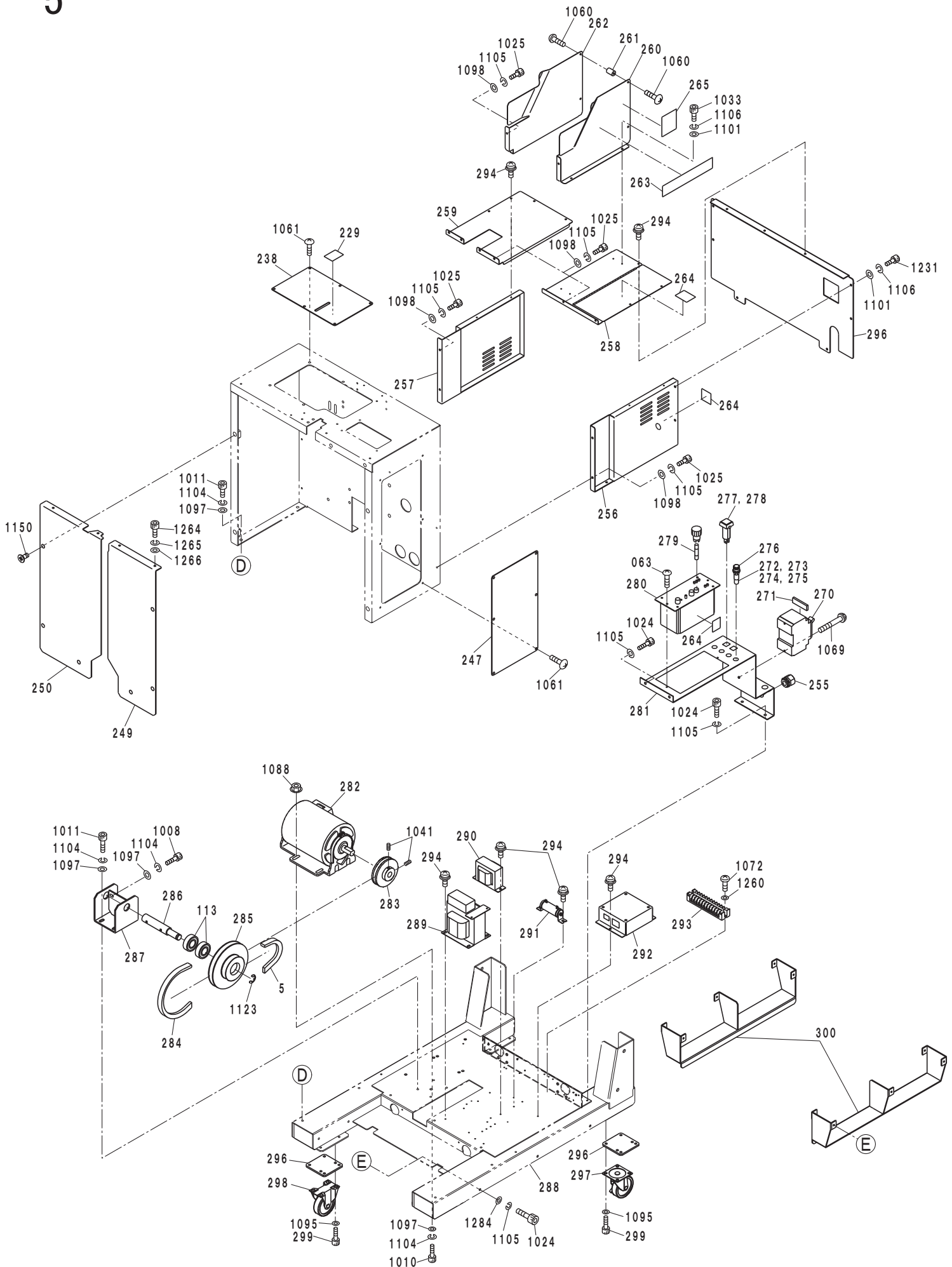




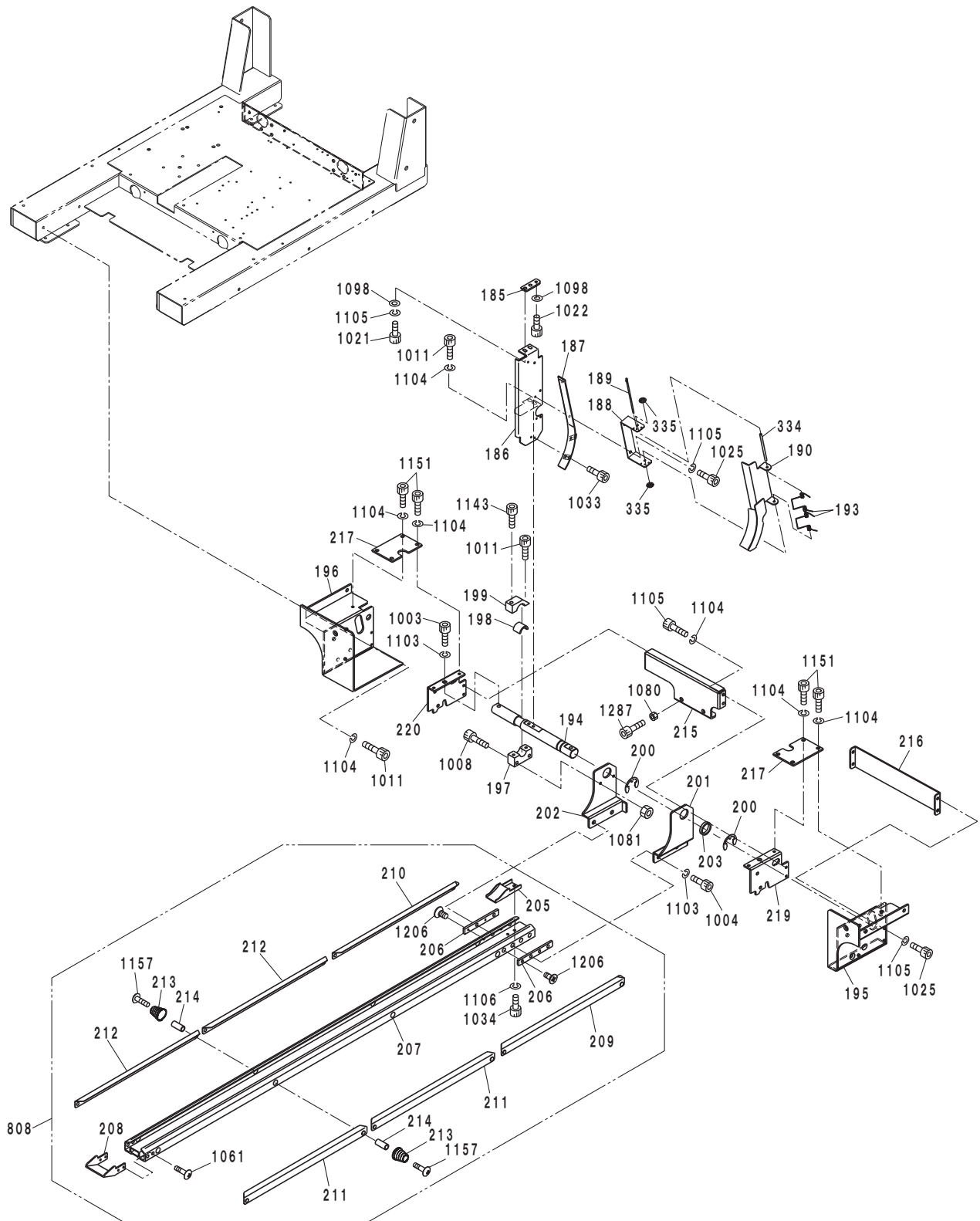
3



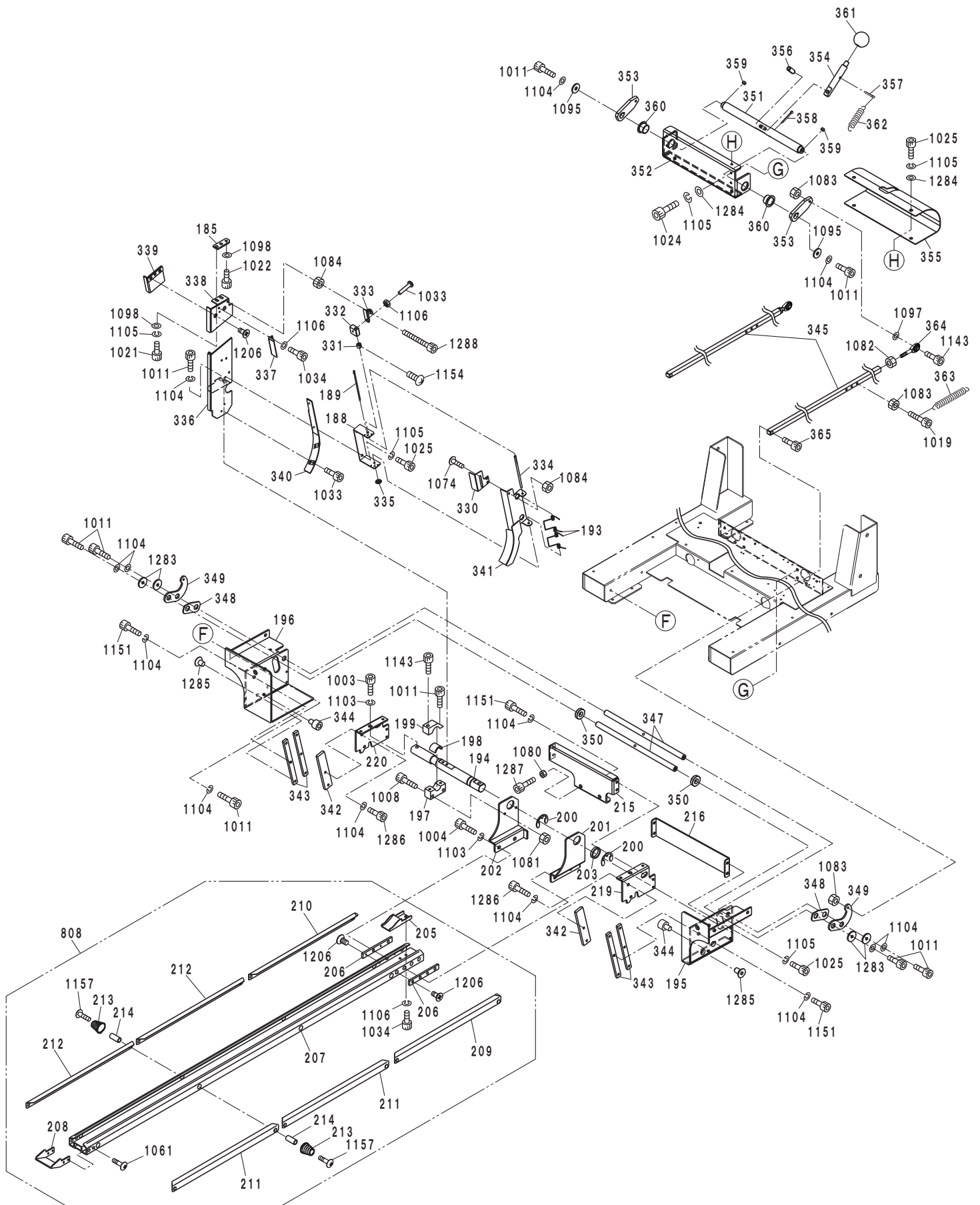


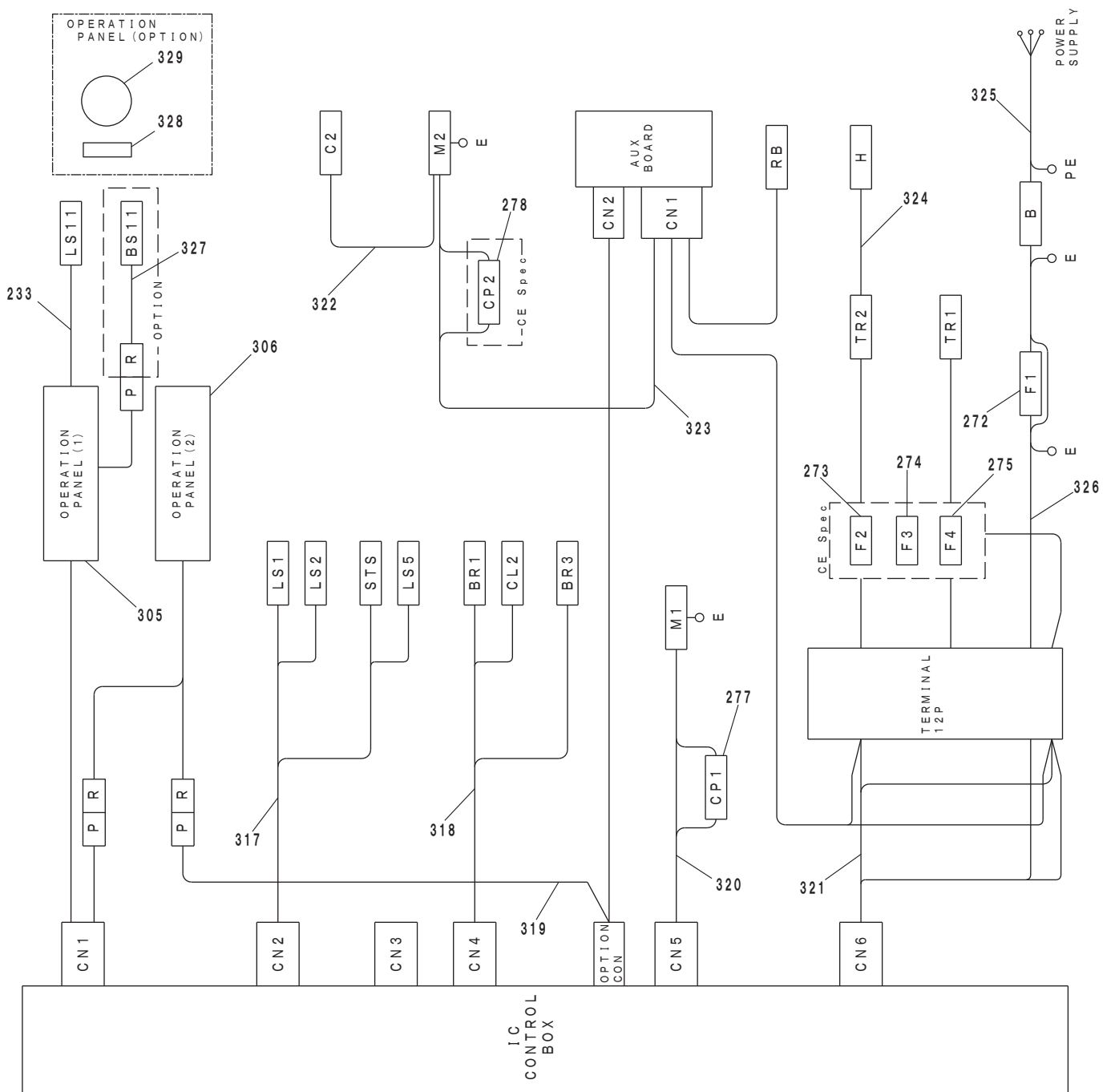
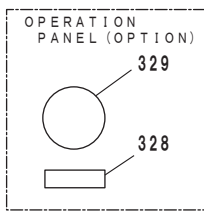
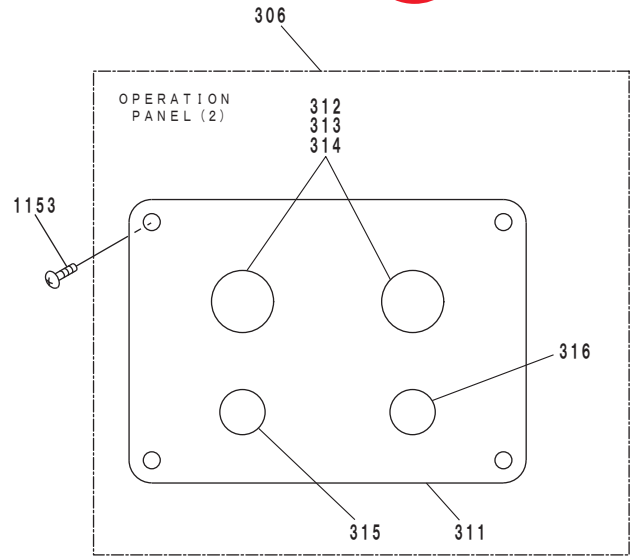
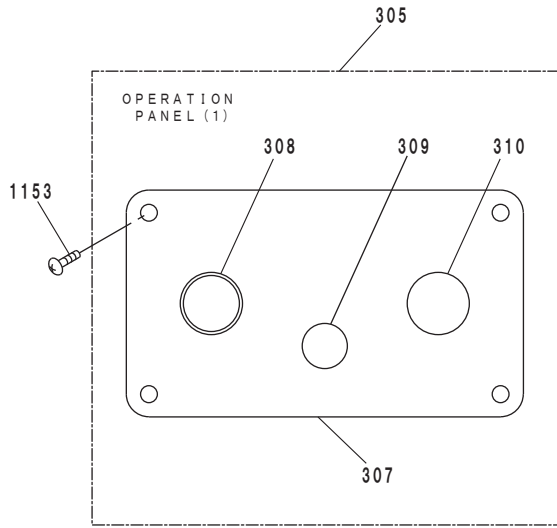





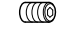

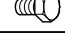
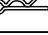


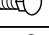
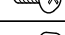
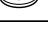

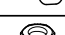
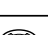


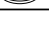
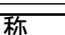
6 Europe



7 North America





略称 Abbreviation	名称 Designation	形状 Appearance	略称 Abbreviation	名称 Designation	形状 Appearance	略称 Abbreviation	名称 Designation	形状 Appearance
HBS	六角穴付きボルト Hexagon Socket Head Cap Bolt		CN	袋ナット Cap Nuts		S	C形止め輪(軸用) Retaining Rings C Type, Shaft	
HSS	六角穴付き止めねじ Hexagon Socket Set Screws		WN	蝶ナット Wing Nuts		WR	WR形止め輪(軸用) Retaining Rings WR Type, Shaft	
HB	六角ボルト Hexagon Head Bolt		SNPIN	スナップピン Snap Pin		HFS	六角穴付きサラ小ネジ Hexagon Socket Countersunk Head Screws	
FMS	十字穴付きサラ小ネジ Cross Recessed Flat Head Screws		PW	平座金 Plain Washers		SNB	角根丸頭ボルト Cup Head Square neck Bolt	
TMS	十字穴付きトラス小ネジ Cross Recessed Truss Head Screws		SW	バネ座金 Spring Washers		HBB	六角穴付きボタンボルト Hexagon Socket Button Head Screws	
PMS	十字穴付きナベ小ネジ Cross Recessed Pan Head Screws		SPPIN	スプリングピン Spring Pin		HN-C	皿バネ付きナット Hex Nut with Disc Spring	
HN	六角ナット Hexagon Nuts		E	E形止め輪 Retaining Rings E Type		HN-F	フランジ付きナット Hexagon Nuts with Flange	
HN-3	六角ナット(3種) Hexagon Nuts (Thin)		H	C形止め輪(穴用) Retaining Rings C Type, Hole				

番号 Ref. No.	部品番号 Parts. No.	部品名称 Description	番号 Ref. No.	部品番号 Parts. No.	部品名称 Description	番号 Ref. No.	部品番号 Parts. No.	部品名称 Description
1001	0111-108030	HBS M8x30	1069	0161-104050	PMS M4x50	1132	0511-130607	Stop Ring S-6
1002	0111-108025	HBS M8x25	1071	0161-104020	PMS M4x20	1133	0511-131510	Stop Ring S-15
1003	0111-108020	HBS M8x20	1072	0161-104012	PMS M4x12	1134	0511-131210	Stop Ring S-12
1004	0111-108015	HBS M8x15	1073	0161-104010	PMS M4x10	1135	0511-130808	Stop Ring S-8
1006	0111-306040	HBS M6x40	1074	0161-104008	PMS M4x8	1136	0511-151612	Stop Ring WR-16
1008	0111-106020	HBS M6x20	1075	0161-103018	PMS M3x18	1139	0292-004100	Nylon Nut M4
1009	0111-106018	HBS M6x18	1076	0161-103015	PMS M3x15	1140	0142-003012	FMS M3x12 Stainless
1010	0111-106015	HBS M6x15	1077	0161-103010	PMS M3x10	1141	0111-104035	HBS M4x35
1011	0111-106012	HBS M6x12	1078	0161-103008	PMS M3x8	1142	0111-106030	HBS M6x30
1013	0111-105055	HBS M5x55	1080	0181-108001	HN M8 style1	1143	0111-506025	HBS M6x25
1014	0111-105045	HBS M5x45	1081	0181-106003	HN-3 M6 style3	1144	0311-561310	PW M6 (6.6x13xt1)
1015	0111-105040	HBS M5x40	1082	0181-106001	HN M6 style1	1145	0321-143026	SW M14 (14.2x30xt2.6)
1016	0111-105035	HBS M5x35	1083	0181-105001	HN M5 style1	1146	0111-114025	HBS M14x25
1017	0111-105030	HBS M5x30	1084	0181-104001	HN M4 style1	1147	0121-106015	HSS M6x15 cup point
1018	0111-105025	HBS M5x25	1085	0181-103001	HN M3	1148	0112-004020	HBS M4x20 Stainless
1019	0111-105020	HBS M5x20	1086	0291-105101	HN-C M5	1149	0221-206002	WN M6 style2
1020	0111-105018	HBS M5x18	1087	0291-104101	HN-C M4	1150	0142-006012	FMS M6x12 Stainless
1021	0111-105015	HBS M5x15	1088	0041-106000	HN-F M6	1151	0111-106010	HBS M6x10
1022	0111-105012	HBS M5x12	1089	0191-106002	CN M6	1152	0151-105035	TMS M5x35
1023	0112-005012	HBS M5x12 Stainless	1090	0191-205011	CN M5 style2	1153	0152-005008	TMS M5x8 Stainless
1024	0111-105010	HBS M5x10	1091	0221-205002	PW	1154	0161-104006	PMS M4x6
1025	0111-105008	HBS M5x8	1092	0311-084032	PW M8 (8.5x40xt3.2)	1155	0161-104075	PMS M4x75
1026	0111-104030	HBS M4x30	1094	0311-081816	PW M8 (9x18xt1.6)	1156	0151-104012	TMS M4x12
1027	0111-104025	HBS M4x25	1095	0311-062020	PW M6 (φ 20)	1157	0111-105050	HBS M5x50
1028	0112-004025	HBS M4x25 Stainless All Screws	1097	0311-061310	PW M6 (6.6x13xt1)	1158	0511-132512	Stop Ring S-25
1029	0111-104015	HBS M4x15	1098	0311-051210	PW M5 (5.5x12xt1)	1159	0291-306240	HSS M6x8
1030	0111-104012	HBS M4x12	1100	0311-051010	PW M5 (5.5x10xt1)	1160	0141-105030	FMS M5x30
1032	0111-104010	HBS M4x10	1101	0311-041008	PW M4 (4.5x10xt0.8)	1161	0291-103202	PMS-SP M3x8
1033	0111-104008	HBS M4x 8	1102	0311-030805	PW M3 (3.4x8xt0.5)	1162	0038-104020	PMS-P M4x20
1034	0111-104006	HBS M4x 6	1103	0321-081520	SW M8 (8.2x15.4xt2)	1163	0037-105050	PMS-S M5x50
1036	0261-108010	HSS M8x10 flat point	1104	0321-061215	SW M6 (6.1x12.2xt1.5)	1164	0361-051005	Conical Spring Washer
1037	0121-108010	HSS M8x10 cup point	1105	0321-050913	SW M5 (5.1x9.2xt1.3)	1165	0037-105030	PMS-S M5x30
1038	0121-106020	HSS M6x20 cup point	1106	0321-040810	SW M4 (4.1x7.6xt1)	1166	0041-108000	HN-F M8
1039	0291-506095	HSS M6x15 long dog point	1107	0321-030607	SW M3 (3.1x5.9xt0.7)	1167	0111-106025	HBS M6x25
1040	0121-106012	HSS M6x12 cup point	1108	0251-105010	HFS M5x10	1168	0111-108012	HBS M8x12
1041	0121-106010	HSS M6x10 cup point	1109	0271-106040	SNB M6x40	1169	0311-061216	PW M6 (6.6x12xt1.6)
1042	0121-106008	HSS M6x 8 cup point	1110	0291-106211	HBB M6x20	1170	0028-105010	HB-P M5x10
1046	0131-106015	HB M6x15	1111	0291-105099	HBB M5x10	1171	0026-103015	HB-SP M6x15
1047	0131-105055	HB M5x55 All Screws	1112	0491-121600	SNPIN No.16	1172	0311-102120	PW M10 (11x21xt2)
1048	0131-105030	HB M5x30	1113	0491-120600	SNPIN φ 6	1173	0181-110001	HN M10
1049	0131-105020	HB M5x20	1114	0491-120500	SNPIN φ 5	1174	0111-110050	HBS M10x50
1050	0131-105015	HB M5x15	1115	0411-310030	SPPIN φ 10x30	1175	0161-103006	PMS M3x6
1051	0131-105010	HB M5x10	1116	0411-308022	SPPIN φ 8x22	1176	0036-105010	PMS-SP M5x10
1052	0131-104025	HB M4x25	1117	0411-308018	SPPIN φ 8x18	1177	0131-104010	HB M4x10
1054	0141-105010	FMS M5x10	1118	0411-306024	SPPIN φ 6x24	1178	0111-106095	HBS M6x95
1055	0141-104010	FMS M4x10	1119	0411-306015	SPPIN φ 6x15	1179	0251-506045	HFS M6x45
1057	0141-103006	FMS M3x6	1120	0411-304015	SPPIN φ 4x15	1180	0251-506015	HFS M6x15
1059	0151-105012	TMS M5x12	1122	0511-111210	Stop Ring E-12	1181	0141-504030	FMS M4x30
1060	0151-105010	TMS M5x10	1123	0511-111010	Stop Ring E-10	1182	0142-003004	FMS M3x4 Stainless
1061	0151-105008	TMS M5x8	1124	0511-110808	Stop Ring E-8	1183	0121-105010	HSS M5x10 cup point
1062	0151-104010	TMS M4x10	1125	0511-124718	Stop Ring H-47	1184	0121-105005	HSS M5x5 cup point
1063	0151-104008	TMS M4x8	1126	0511-123716	Stop Ring H-37	1185	0251-505012	HFS M5x12
1064	0152-004008	TMS M4x8 Stainless	1127	0511-123516	Stop Ring H-35	1186	0121-103003	HSS M3x3 cup point
1065	0151-104006	TMS M4x6	1128	0511-123212	Stop Ring H-32	1187	0121-105006	HSS M5x6 cup point
1067	0161-105012	PMS M5x12	1129	0511-122812	Stop Ring H-28	1188	0161-105010	PMS M5x10
1068	0161-104065	PMS M4x65	1130	0511-122412	Stop Ring H-24	1189	0141-105015	FMS M5x15
			1131	0511-122210	Stop Ring H-22	1190	0131-104006	HB M4x6

番号 Ref. No.	部品番号 Parts. No.	部品名称 Description	番号 Ref. No.	部品番号 Parts. No.	部品名称 Description	番号 Ref. No.	部品番号 Parts. No.	部品名称 Description
1191	0131-106050	HB M6x50	1264	0112-005008	HBS M5x8 Stainless			
1192	0141-104012	FMS M4x12	1265	0322-050913	SW M5 (5.1x9.2xt1.3) Stainless			
1193	0141-105015	FMS M5x15	1266	0312-051010	PW M5 (5.5x10xt1) Stainless			
1194	0141-106015	FMS M6x15	1267	0111-110020	HBS M10x20			
1195	0142-003008	FMS M3x8 Stainless	1268	0111-110030	HBS M10x30			
1196	0151-104015	TMS M4x15	1269	0131-105008	HB M5x8			
1197	0151-105006	TMS M5x6	1270	0141-105008	FMS M5x8			
1198	0151-106006	TMS M6x6	1271	0141-105012	FMS M5x12			
1199	0131-106025	HB M6x25	1272	0161-103004	PMS M3x4			
1200	0038-104020	PMS-P M4x20	1273	0161-603006	PMS M3x6 (Black chromate)			
1201	0041-105000	HN-F M5	1274	0251-105008	HFS M5x8			
1202	0111-105035	HBS M5x35	1275	0291-105253	HBB M5x8			
1203	0111-106040	HBS M6x40	1276	0291-108127	HBB M8x15			
1204	0111-108055	HBS M8x55	1277	0511-110406	Stop Ring E-4			
1205	0111-110025	HBS M10x25	1278	0331-051006	TW M5			
1206	0141-104008	FMS M4x8	1279	0111-106008	HBS M6x8			
1207	0142-004012	FMS M4x12 Stainless	1280	0511-110608	Stop Ring E-6			
1208	0151-103006	TMS M3x6	1281	0299-000435	MSB6.5-10			
1209	0151-106010	TMS M6x10	1282	0311-062016	PW M6 (6.6x20xt1.6)			
1210	0161-103012	PMS M3x12	1283	0311-062523	PW M6(φ 25xt2.3)			
1211	0161-104040	PMS M4x40	1284	0311-051208	PW M5(5.5x12xt0.8)			
1212	0261-105025	HSS M5x25 Flat Point	1285	0251-506010	HFS M6x10			
1213	0311-122423	PW M12	1286	0131-106010	HB M6x10			
1214	0321-101825	SW M10 (10.2x18.4xt2.5)	1287	0131-108025	HB M8x25			
1215	0311-061116	PW M6 (6.6x11.5xt1.6)	1288	0111-104050	HBS M4x50			
1216	0111-204020	HBS M4x20	1289	0131-108015	HB M8x15			
1217	0141-104006	FMS M4x6	1290	0131-108018	HB M8x18			
1218	0151-105025	TMS M5x25	1291	0131-106060	HB M6x60			
1219	0161-104018	PMS M4x18	1292	0131-104012	HB M4x12			
1220	0291-105170	HFB M5x10	1293	0141-106050	FMS M6x50			
1221	0121-106006	HSS M6x6 Cup Point	1294	0131-105025	HB M5x25			
1222	0017-106012	HBS-S M6x12	1295	0111-106060	HBS M6x60			
1223	0111-105006	HBS M5x6	1296	0131-106065	HB M6x65			
1224	0111-106035	HBS M6x35	1297	0111-104040	HBS M4x40			
1225	0111-106045	HBS M6x45	1298	0111-108018	HBS M8x18			
1226	0111-106050	HBS M6x50	1299	0151-104004	TMS M4x4			
1227	0111-108035	HBS M8x35	1300	0151-105015	TMS M5x15			
1228	0111-108045	HBS M8x45	1301	0291-104255	HBB M4x6			
1229	0111-114020	HBS M14x20	1302	0121-104005	HSS M4x5 Cup Point			
1230	0112-006020	HBS M6x20 Stainless	1303	0162-003008	PMS M3x8 Stainless			
1231	0131-104008	HB M4x8	1304	0161-104030	PMS M4x30			
1232	0131-106020	HB M6x20	1305	0161-104060	PMS M4x60			
1233	0131-110020	HB M10x20	1306	0322-030607	SW M3 (3.1x5.9xt0.7) Stainless			
1234	0131-110025	HB M10x25	1307	0111-103012	HBS M3x12			
1235	0141-103010	FMS M3x10	1308	0111-106075	HBS M6x75			
1236	0142-004020	FMS M4x20 Stainless	1309	0299-000550	HSS M5x10 Double Point			
1237	0142-004025	FMS M4x25 Stainless	1310	0299-000562	HSS M5x5 Double Point			
1238	0142-005010	FMS M5x10 Stainless	1311	0141-103008	FMS M3x8			
1239	0151-106008	TMS M6x8	1312	0131-105012	HB M5x12			
1240	0151-106015	TMS M6x15	1313	0132-004025	HB M4x25 Stainless·All Screws			
1241	0151-106018	TMS M6x18	1314	0181-105003	HN M5 style3			
1242	0151-604008	TMS M4x8	1315	0111-108070	HBS M8x70			
1243	0152-006008	TMS M6x8 Stainless	1316	0131-104030	HB M4x30			
1244	0161-103020	PMS M3x20	1317	0111-112030	HBS M12x30			
1245	0161-103025	PMS M3x25	1318	0321-122130	SW M12 (12.2x21.5xt3)			
1246	0161-106008	PMS M6x8	1319	0111-108010	HBS M8x10			
1247	0161-106010	PMS M6x10	1320	0121-105008	HSS M5x8 Cup Point			
1248	0182-004001	HN M4 Stainless	1321	0299-000048	HBS M4x30 Stainless·All Screws			
1249	0182-005001	HN M5 Stainless	1322	0161-105008	PMS M5x8			
1250	0182-006001	HN M6 Stainless	1323	0036-103006	PMS-SP M3x6			
1251	0311-041316	PW M4 (4.5x13xt1.6)	1324	0111-108040	HBS M8x40			
1252	0331-061106	TW M6 (6.4x11xt0.6)	1325	0111-103018	HBS M3x18			
1253	0331-101809	TW M10 (10.5x18xt0.9)						
1254	0041-104000	HN-F M4						
1255	0411-308024	SPPIN φ 8x24						
1256	0111-106080	HBS M6x80						
1257	0151-104020	TMS M4x20						
1258	0151-106012	TMS M6x12						
1259	0131-104020	HB M4x20						
1260	0311-040805	PW M4 (4.5x8xt0.5)						
1261	0322-040810	M4 (4.1x7.6xt1) Stainless						
1262	0191-004002	CN M4						
1263	0162-004006	PMS M4x6 Stainless						

No.	Parts.No.	Description	Q'ty	Remarks
1	900-01-10280	Seal (Arrow)	2	
2	907-01-10190	Timing Plate	1	
3	0499-104015	Key 5x5x15	1	
4	974-01-10181	Gear Mission Pulley	1	
5	0810-151123	V-Belt A-23	1	
6	935-21-17100	Gear Box Assembly	1	
7	0499-006017	Key 7x7x17 Square	1	
8	900-01-10250	Key 7x7x81.5	1	
9	900-01-10700	Magnet Brake Set	1	
10	900-01-10292	Proximity Switch Bracket	1	
11	900-06-10120	Proximity Switch	1	LS1
12	900-06-10130	Proximity Switch	1	LS2
13	900-01-20131	Slide Table Support	1	
14	900-01-20152	Band Width Block	1	
15	907-01-10110	Band Guide Cam	1	
16	900-01-10181	Collar t14	1	
17	907-01-10120	Left Press Cam	1	
18	900-01-10191	Collar t5	1	
19	907-01-10130	Heater Cam	1	
20	900-01-10211	Collar t12	1	
21	907-01-10141	Center Press Cam	1	
22	900-01-10221	Collar t9	1	
23	907-01-10150	Slide Table Cam	1	
24	900-01-10230	Collar t2	1	
25	907-01-10160	Right Press Cam	1	
26	900-01-10330	Collar t14(B)	1	
27	0611-026005	Ball Bearing 6005ZZ	3	
28	900-01-40110	Heater Cover	1	
29	0890-480257	Label(WARNING)	1	
30	900-01-20140	Slide Table Stopper	1	
31	907-01-10170	Tension Cam	1	
32	900-01-20180	Arm Shaft	1	
33	900-01-20211	Slide Table Screw	2	
34	900-26-41370	Slide Table	1	
35	900-01-20170	Spring Hook(C)	3	
36	0520-111825	Metal Bush LFB-1825	3	
37	900-01-21110	Slide Table Arm	1	
38	0611-026300	Ball Bearing 6300ZZ	1	
39	935-01-42110	Heater Arm Holder	1	
40	900-01-42110	Heater Arm	1	
41	0611-020628	Ball Bearing 628ZZ	7	
42	900-01-42130	Heater Holder	1	
43	900-01-40143	Heater Tension Spring	2	
44	900-01-41002	Heater Set	1	
45	900-26-41380	Band Guide Arm	1	
46	900-26-41120	Band Guide	1	
47	900-26-41170	Band Stop Guide	1	
48	900-01-31121	Cutter(Upper)	1	
49	900-01-31130	Block Spring	3	
50	900-01-31110	Right Arm	1	
51	100-01-31170	Spring Pin ϕ 8x24	3	
52	900-01-30120	Spring Hook(A)	1	
53	900-01-30130	Press Tension Spring(Right)	1	
54	900-01-30140	Press Tension Spring(Center)	1	
55	900-01-30110	Cutter Tension Spring	1	
56	900-01-32121	Cutter(Lower)	1	
57	900-01-32131	Cutter Base	1	
58	900-01-32111	Center Arm	1	
59	900-01-30150	Press Tension Spring(Left)	1	
60	900-01-33121	Jaw(Left)	1	
61	900-01-33111	Left Arm	1	
62	900-01-81121	Right Bandway Bracket	1	
63	0520-140605	Flange Bush	2	
64	900-01-81152	Right Bandway Joint	1	
65	900-01-81170	Joint Bolt	1	
66	900-01-80110	Arm Shaft	1	

No.	Parts.No.	Description	Q'ty	Remarks
67	0520-111210	Metal Bush	1	
68	900-01-81113	Right Bandway Arm	1	
69	0520-131210	Flange Bush	1	
70	0611-020638	Ball Bearing 638ZZ	1	
71	900-22-19110	Right Bandway Stopper	1	
72	900-01-80123	Right Bandway Rail	1	
73	100-01-30131	Upper Roller Spring	1	
74	907-01-30121	Upper Shaft Spring Adjuster	1	
75	907-01-30110	Press Arm Shaft	1	
76	974-01-50110	Right Control Frame	1	
77	0520-111815	Metal Bush	2	
78	0520-131815	Flange Bush	2	
79	900-01-50140	Control Frame Stay A	3	
80	900-01-50152	Control Frame Stay B	1	
81	0740-110232	Terminal	1	2P
82	907-01-50121	Left Control Frame	1	
83	900-01-80130	Right Bandway Spring	1	
84	974-01-10160	Magnetic Clutch	1	
85	974-01-10170	Collar(Magnetic Clutch)	1	
86	935-21-17160	Collar t12.5	1	
87	0611-026202	Ball Bearing 6202ZZ	2	
88	974-01-10140	Bracket	1	
89	900-06-10310	Proximity Switch(STS)	1	STS
90	900-26-41160	Striker Collar	1	
91	900-26-41320	Striker Spring	1	
92	0520-180610	Bush	1	
93	900-26-41410	Striker	1	
94	900-26-41422	Switch Base	1	
95	900-26-41432	Switch Holder	1	
96	900-26-41190	Lead Wire Holder	1	
97	0111-103006	HBS M3x 6	1	
98				
99	0511-121910	Stop Ring H-19	1	
100	907-01-60111	Tension Arm Holder	1	
101	0520-111820	Metal Bush LFB-1820	2	
102	907-01-60121	Tension Arm Shaft	1	
103	907-01-60210	Magnet Brake	1	
104	974-01-70110	Feed Bearing Case	1	
105	974-51-72130	Shooter Cover	1	
106	970-51-72110	Feed Shooter	1	15.5mm
	970-51-41110	Feed Shooter	1	12mm,1/2"
107	974-01-70160	Feed Upper Roller Collar	1	
108	0611-020698	Ball Bearing 698ZZ	2	
109	974-51-72120	Feed Upper Roller	1	15.5mm
	974-51-41120	Feed Upper Roller	1	12mm,1/2"
110	974-01-70120	Feed Upper Roller Shaft	1	
111	0611-026001	Ball Bearing 6001ZZ	2	
112	907-01-70160	Feed Roller	1	
113	0611-026002	Ball Bearing 6002ZZ	4	
114	907-01-70141	Feed Roller Collar(A)	1	
115	974-01-70150	Feed Roller Collar(B)	1	
116	974-01-70140	Bearing Support Plate	1	
117	974-06-13110	Proximity Switch	1	LS5
118	974-01-70190	Proximity Switch Bracket	1	
119	0813-230085	Timing Pulley	1	
120	0810-153080	Timing Belt	1	
121	0813-230086	Timing Pulley	1	50Hz
	0813-230087	Timing Pulley	1	60Hz
122	974-05-15160	Feed Motor Bracket	1	
123	974-05-15170	Feed Motor Plate	1	
124	0780-140103	Reversible Motor	1	North America
	0780-140100	Reversible Motor	1	Europe
125	-	Condenser	1	accessory of motor
126	974-01-70131	Upper Roller Spring Hook	1	
127	300-01-72140	Feed Upper Roller Spring Adjuster	1	
128	974-01-70170	Feed Roller Spring Bracket	1	

No.	Parts.No.	Description	Q'ty	Remarks
129	907-51-72141	Feed Roller Spring	1	
130	966-21-11160	Bolt Stand	1	
131	974-01-61210	Tension Jaw	1	
132	0411-306050	Spring Pin ϕ 6x50	1	
133	0520-110808	Metal Bush LFB-0808	2	
134	0111-106008	HBS M6x8	1	
135	0111-106035	HBS M6x35	1	
136	0511-110608	Stop Ring E-6	3	
137	907-01-61120	Tension Jaw Shaft	1	
138	966-01-61111	Tension Arm	1	
139	0631-240001	Cam Follower	1	
140	0520-131820	Flange Bush	2	
141	966-21-11110	Tension Arm Spring	1	
142	966-21-11131	Arm Holder	1	
143	0520-130806	Flange Bush	1	
144	966-21-11150	Jaw Release Arm	1	
145	966-21-11141	Arm Shaft	1	
146	907-01-60140	Tension Adjust Arm	1	
147	907-01-60160	Tension Arm Spacer	1	
148	966-21-11120	Adjuster Arm Spring	1	
149	974-01-71110	Tension Shooter A	1	
150	974-01-71120	Tension Shooter B	1	
151	0421-106025	Rivet ϕ 6x25	8	
152	974-01-71130	Band Guide Roller	8	
153	0512-210600	Pushing Nut ϕ 6 (Stainless)	11	
154	0890-320277	Stainless Supporter	6	
155	974-01-10150	End Plate	1	
156	974-04-20111	Reel Bracket	1	
157	900-24-17300	Reel Shaft Set Left 275L	1	ϕ 650
	904-24-15100	Reel Shaft Set Left 360L	1	ϕ 200 \cdot ϕ 230
158	900-04-20311	Reel Unit Base	1	
159	900-04-22111	Brake Belt	1	
160	900-04-22120	Brake Belt Holder	1	
161	900-04-22130	Brake Belt Holder Collar	1	
163	0520-111515	Metal Bush LFB-1515	2	
164	900-04-20142	Brake Tension Holder	1	
165	900-04-20150	Holder Shaft	1	
166	900-04-20161	Brake Belt Tightener	1	
167	0770-140040	Spacer ϕ 15idx ϕ 20.5odxt0.1	2	
168	974-04-21120	Reel Brake Arm	1	ϕ 650
	693-04-21110	Reel Brake Arm	1	ϕ 200 \cdot ϕ 230
169	100-04-20190	Brake Tension Spring Ring	2	
170	100-04-22110	Bracket(Free Slide Roller)	1	
171	100-04-11131	Band Guide Roller	1	15.5mm
	249-04-11120	Free Angle Roller	1	12mm
172	0421-106030	Rivet ϕ 6x30	1	
173	974-04-21110	Bracket(Brake Spring)	1	
174	300-01-72140	Feed Upper Roller Spring Adjuster	1	
175	900-04-20171	Brake Tension Arm Spring	1	
176	100-04-20120	Reel Brake Pulley	1	ϕ 650
	900-04-20400	Reel Brake Pulley Set	1	ϕ 200 \cdot ϕ 230
177	100-24-15140	Reel In Circular	1	ϕ 650
	125-04-10112	Reel In Circular	1	ϕ 200 \cdot ϕ 230
178	100-24-15150	Reel Out Circular	1	ϕ 650
	125-04-10122	Reel Out Circular	1	ϕ 200 \cdot ϕ 230
179	100-81-29120	Reel Center Drum	1	ϕ 650
	900-04-10150	Reel Center Guide	3	ϕ 200
	900-24-29110	Reel Center Guide	3	ϕ 230
180	125-04-10210	Rear Nut	3	ϕ 200 \cdot ϕ 230
181	0890-480027	Arrow Label(Left Direction)	2	ϕ 650
	0890-480027	Arrow Label(Left Direction)	1	ϕ 200 \cdot ϕ 230
182	0890-480293	Arrow Label	1	
183	114-24-15220	Reel Nut Handle(Left)	1	ϕ 650
	631-04-10170	Reel Nut Handle	1	ϕ 200 \cdot ϕ 230
184	974-04-20120	Reel Bracket Support	1	
185	900-02-10131	Spacer(Left Band Guide)	1	

No.	Parts.No.	Description	Q'ty	Remarks
186	974-02-11111	Left Band Guide	1	Europe
187	974-02-11121	Left Bandway	1	Europe
188	974-02-11141	Flap Bracket	1	
189	974-02-11161	Flap Hinge Pin	1	
190	974-02-11131	Left Bandway Flap	1	Europe
191				
192				
193	100-22-21121	Arch Flap Spring ϕ 0.7	2	
194	974-02-12111	Bandway Shaft	1	
195	974-02-12151	Shaft Holder F	1	
196	974-02-12161	Shaft Holder R	1	
197	527-02-10191	Bandway Brake	1	
198	527-02-10260	Brake Shoe	1	
199	974-02-12250	Bandway Clamp	1	
200	0511-111916	Stop Ring E-19	2	
201	974-02-12120	Bandway Support F	1	
202	974-02-12130	Bandway Support R	1	
203	527-02-20170	Collar	1	
204				
205	527-02-11160	Bandway R Guide	1	
206	527-02-11170	Bandway Nut	2	
207	527-02-11311	Bandway	1	L800
	527-02-11111	Bandway	1	L1200
208	527-02-11181	Bandway Guard	1	
209	527-02-11121	Bandway Flap Front (Entrance)	1	
210	527-02-11131	Bandway Flap Rear (Entrance)	1	
211	527-02-11141	Bandway Flap Front	1	L800
	527-02-11141	Bandway Flap Front	2	L1200
212	527-02-11151	Bandway Flap Rear	1	L800
	527-02-11151	Bandway Flap Rear	2	L1200
213	527-02-10240	Flap Cone Spring	6	L800
	527-02-10240	Flap Cone Spring	8	L1200
214	0890-320233	Spacer ϕ 4x12	6	L800
	0890-320233	Spacer ϕ 4x12	8	L1200
215	974-02-12141	Bandway Stopper	1	
216	974-02-12190	Shaft Holder Joint	1	
217	974-02-12210	Bandway Bracket	2	Europe
218	0131-108040	HB M8x40	2	
219	974-02-12230	Bandway Shaft Holder F	1	
220	974-02-12240	Bandway Shaft Holder R	1	
221	974-02-51011	Right Band Guide	1	
222	974-02-51021	Right Band Guide A	1	
223	900-02-30310	Arch Flap Spring	1	
224	900-02-30423	Flap Joint Bolt	1	
225	974-02-51111	Right Bandway Upper	1	
226	900-02-21122	Band Adjuster	1	
227	900-02-21132	Right Bandway(Lower)	1	
228	900-02-21154	Right Bandway Base	1	
229	0890-480130	Label(Arrow)	1	
230	974-05-12112	Body Frame	1	
	974-26-10112	Body Frame	1	Option
231	974-05-12160	Bandway Hook	1	
232	0890-140121	Hinge	1	B-1231
233	693-06-13120	Proximity Switch	1	LS11
234	974-05-13130	Lead Switch Bracket	1	
235	0750-130004	Magnet for Lead Switch	1	
236	974-05-13120	Hinge(Tension Shooter Cover)	1	
237	974-05-13110	Cover(Tension Shooter)	1	
238	974-05-12150	Inspection Hole U	1	
239	693-04-11130	Guide Roller Shaft	1	
240	974-04-11120	Bracket(Guide Roller)	1	
241	0611-020696	Ball Bearing 696ZZ	2	
242	693-04-11120	Guide Roller	1	
243	974-04-11110	Bracket(Guide Roller) F	1	
244	974-05-15140	Bracket(Idler)	1	
245	974-05-15150	Idler Collar	1	

No.	Parts.No.	Description	Q'ty	Remarks
246	0111-108045	HBS M8x45	1	
247	974-05-12140	Body Cover	1	
248	974-05-14151	Operation Panel Cover	1	
249	974-05-12121	Side Table F	1	
250	974-05-12131	Side Table R	1	
251	0890-480357	Label(WARNING)	1	
252	518-07-10421	Label(WARNING)	1	
253	0890-220041	Grommet	2	
254	974-05-11161	Frame Cover Rear	1	Europe
255	0740-120592	Cable Connector	1	
256	974-05-14111	Electric Box F	1	
257	974-05-14121	Electric Box R	1	
258	974-05-14131	Electric Cover F	1	
259	974-05-14142	Electric Cover R	1	
260	974-03-31110	Back Pool Box F	1	
261	974-03-31130	Back Pool Support	1	
262	974-03-31120	Back Pool Box	1	
263	900-02-10140	Label(Strapack)	1	
264	0890-480064	Label(WARNING)	3	
265	974-05-16110	Label (How to Load Strap)	1	
266	974-05-11120	Handle Support F	1	
267	974-05-11131	Handle Support R	1	
268	974-05-11140	Knob	1	
269	974-05-11150	Cord Hook(Power Supply)	1	
270	0730-110426	Breaker	1	North America
	0730-110183	Breaker	1	Europe
271	0730-110144	Terminal Cover (Breaker)	1	
272	0730-179016	Fuse 15A	1	
273	0730-179028	Fuse 0.3A	1	Europe
274	0730-170015	Fuse 1.5A	1	Europe
275	0730-179018	Fuse 1A	1	Europe
276	0730-130030	Fuse Holder	1	North America
	0730-130030	Fuse Holder	4	Europe
277	0730-110069	Circuit Protector 8A	1	North America
	0730-110070	Circuit Protector 3A	1	Europe
278	0730-110448	Circuit Protector 2A	1	Europe
279	0730-140050	Fuse 5A	1	
280	974-06-11000	IC Control Box Assembly	1	
281	974-05-61112	Bracket(Control Box)	1	
282	690-83-10410	Motor	1	North America
	690-86-10410	Motor	1	Europe
283	100-06-10120	Timing Motor Pulley	1	50Hz
	907-06-10111	Timing Motor Pulley	1	60Hz
284	0810-151124	V-Belt A-24	1	50Hz
	0810-151123	V-Belt A-23	1	60Hz
285	974-05-15130	Relay Pulley	1	
286	974-05-15120	Shaft	1	
287	974-05-15110	Bracket(Relay Pulley)	1	
288	974-05-11113	Frame Base	1	
289	974-83-10200	Heater Transformer Set	1	North America
	974-86-10200	Heater Transformer Set	1	Europe
290	974-83-10300	Control Transformer Set	1	North America
	974-86-10300	Control Transformer Set	1	Europe
291	0770-210219	Resistor	1	North America
	0770-210218	Resistor	1	Europe
292	RQ2K-06-24000	Driving Board Set(Pool Motor)	1	
293	968-06-10220	Terminal Base	1	12P
294	0036-104008	PMS-SP M4x8	10	
295	974-05-14161	Electric Box C	1	
296	974-83-11110	Caster Spacer A	4	North America
297	0890-130103	Caster Free ϕ 75	2	North America
	0890-130216	Caster Free ϕ 100	2	Europe
298	0890-130104	Caster Fixed ϕ 75	2	North America
	0890-130216	Caster Free ϕ 100	2	Europe
	0890-130215	Caster Fixed ϕ 100	2	Option

No.	Parts.No.	Description	Q'ty	Remarks
299	0111-106012	HBS M6x20	16	North America
	0111-106012	HBS M6x12	16	Europe
300	974-05-11171	Under Guide	2	
301				
302				
303				
304				
305	974-06-12100	Operation Panel Set (1)	1	
306	974-06-12200	Operation Panel Set (2)	1	
307	974-06-12110	Operation Panel (1)	1	
308	0710-110355	Push Button Switch	1	STOP
309	0710-140042	Push Button Switch	1	POWER
310	0710-110304	Push Button Switch	1	START
311	974-06-12210	Operation Panel (2)	1	
312	0710-180031	Tension Dial	2	Dial
313	0770-220011	Tension Volume	2	Volume
314	100-01-62120	Rubber Packing	2	
315	0710-110300	Push Button Switch	1	RESET
316	0770-110211	Power Lamp	1	ERROR
317	974-06-30110	Wire Harness(CN2)	1	
318	974-06-30120	Wire Harness(CN4)	1	
319	974-06-30130	Wire Harness(OPTION CON)	1	
320	974-86-30150	Wire Harness(CN5)	1	
321	974-80-30160	Wire Harness(CN6)	1	
322	974-06-30180	Wire Harness(C2)	1	North America
	RQ2K-80-30151	Wire Harness(Pool Motor)	1	Europe
323	974-80-30171	Wire Harness(M2)	1	North America
	974-86-30171	Wire Harness(M2)	1	Europe
324	974-06-30140	Wire Harness(Heater)	1	
325	974-83-30210	Power Supply Cord	1	North America
	974-80-30210	Power Supply Cord	1	Europe
326	974-80-30220	Wire Harness(Breaker)	1	
327	974-26-10150	Wire Harness(Table Switch)	1	Option
328	974-26-10120	Label(START)	1	Option
329	0710-110304	Push Button Switch	1	Option
330	974-25-12161	Left Bandway Flap Upper	1	North America
331	974-25-12190	Flap Hinge Collar	1	North America
332	974-25-12210	Flap Holder	1	North America
333	974-25-12220	Flap Keeper	1	North America
334	974-02-11151	Flap Hinge Shaft	1	Europe
	974-25-12180	Flap Hinge Shaft	1	North America
335	0512-210400	Pushing Nut ϕ 4 (Stainless)	2	
	0512-210400	Pushing Nut ϕ 4 (Stainless)	1	North America
336	974-25-12120	Left Band Guide Lower	1	North America
337	974-25-12140	Left Bandway Upper	1	North America
338	974-25-12110	Left Band Guide Upper	1	North America
339	974-25-12130	Guide Rail	1	North America
340	974-25-12150	Left Bandway Lower	1	North America
341	974-25-12170	Left Bandway Flap Lower	1	North America
342	974-25-12230	Up & Down Guide A	2	North America
343	974-25-12240	Up & Down Guide B	4	North America
344	974-25-12260	Up & Down Guide Stopper	2	North America
345	974-25-12272	Connecting Rod A	2	North America
346				
347	974-25-12310	Up & Down Arm Shaft	2	North America
348	974-25-12320	Up & Down Arm Shaft Collar	4	North America
349	974-25-12330	Up & Down Arm	2	North America
350	974-25-12340	Up & Down Shaft Collar	2	North America
351	974-25-12351	Balance Shaft	1	North America
352	974-25-12361	Handle Shaft Bracket	1	North America
353	974-25-12371	Relay Arm	2	North America
354	974-25-12380	Handle	1	North America
355	974-25-12391	Handle Cover	1	North America
356	0412-006015	Spring Pin ϕ 6x15(Stainless)	1	North America
357	0431-232020	Split Pin ϕ 3.2x20L	1	North America
358	0431-232025	Split Pin ϕ 3.2x25L	1	North America

